

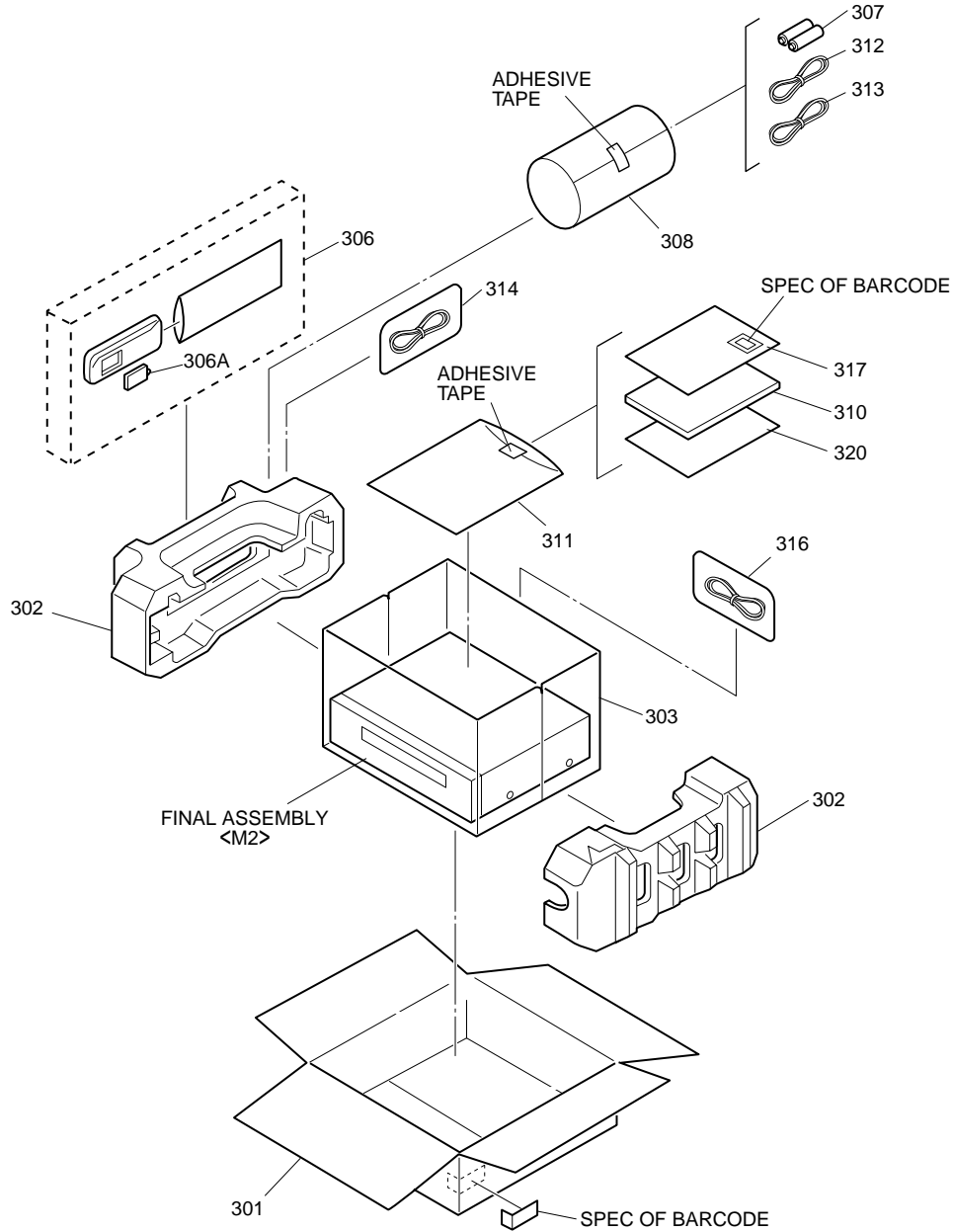
SECTION 5 PARTS LIST

SAFETY PRECAUTION

Parts identified by the \triangle symbol are critical for safety. Replace only with specified part numbers.

5.1 PACKING AND ACCESSORY ASSEMBLY <M1>

The instruction manual to be provided with this product will differ according to the destination.



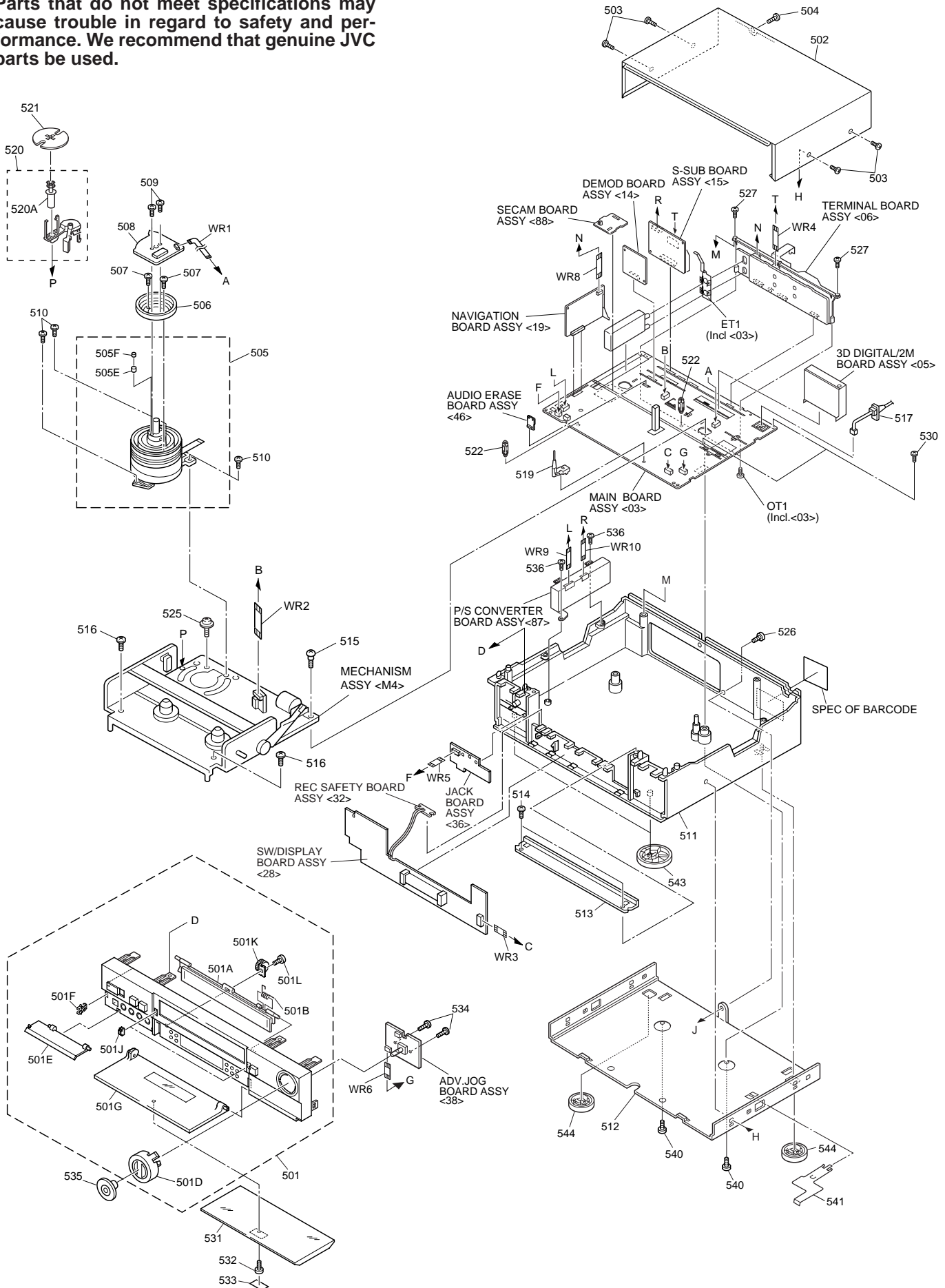
# \triangle REF No.	PART No.	PART NAME, DESCRIPTION	# \triangle REF No.	PART No.	PART NAME, DESCRIPTION

PACKING AND ACCESSORY ASSEMBLY <M1>					
301	LP31003-002A	PACKING CASE	308	QPC02202230P	POLY BAG
302	LP31008-001A	CUSHION ASSY	\triangle 310	LPT0496-001A	INST.BOOK(FR)
303	PQM30021-95	POLY BAG	311	QPC02503530P	POLY BAG
306	LP20667-008B	REMOTE CONTROLLER	312	PEAC0300-02	RF CABLE
306A	LP40225-002A	COVER(BATTERY)	313	QAM0004-002	S CABLE
307	-	BATTERY,X2("R6"TYPE)	314	QAL0095-005	LED CABLE ASSY
			316	QAM0238-003	PERI CABLE
			317	BT-54008-2	GUARANTY CARD
			320	LP40605-001A	SHEET

5.2 FINAL ASSEMBLY <M2>

BEWARE OF BOGUS PARTS

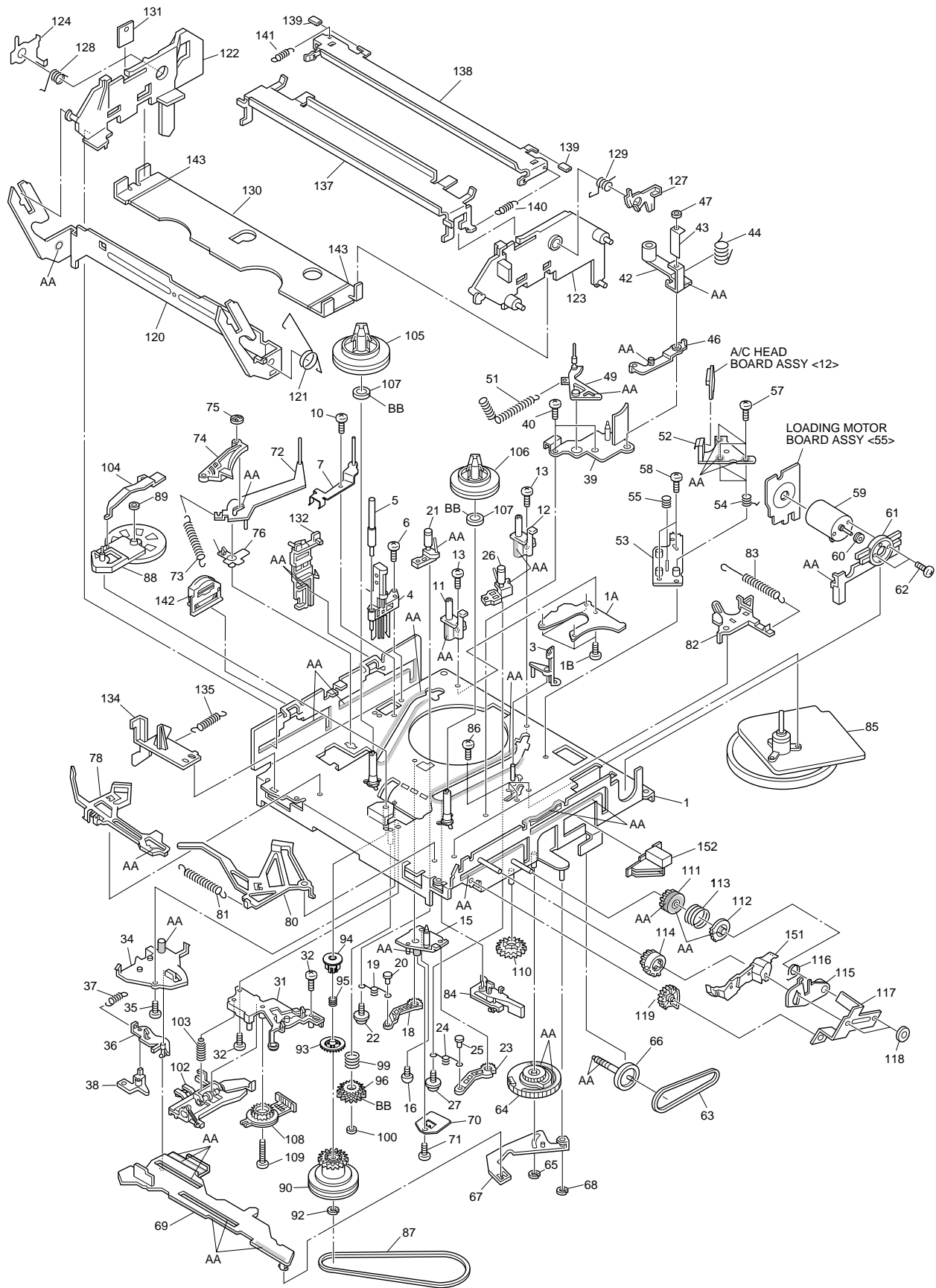
Parts that do not meet specifications may cause trouble in regard to safety and performance. We recommend that genuine JVC parts be used.



#	△ REF No.	PART No.	PART NAME, DESCRIPTION	#	△ REF No.	PART No.	PART NAME, DESCRIPTION

FINAL ASSEMBLY <M2>							
△	501	LP10353-006C	FRONT PANEL ASSY				
	501A	LP20968-010A	CASSETTE DOOR				
	501B	PQ46448	TORSION SPRING				
	501D	LP31002-001A	ORNAMENT				
	501E	LP20970-005A	DOOR(JACK)				
	501F	PU60109	CATCHER				
	501G	LP20969-001A	DOOR				
	501J	QZW0063-001	MAGNET LATCH,X2				
	501K	QZW0055-003	DAMPER				
	501L	QYTDSF3010Z	SCREW,DAMPER				
△	502	PQ11922-58	TOP COVER				
	503	QYTDSF3010R	SCREW,X4, TOP COVER(SIDE)				
	504	QYTDSF3010M	SCREW, TOP COVER(REAR)				
	505	LP20981-013A	DRUM SUB ASSY				
	505E	LP40323-001A	CONTACT				
	505F	LP30004-014A	COMPRESSION SPRING				
	506	PDZ0179-1-4	ROTOR ASSY				
	507	QYSPSP3006Z	SCREW,X2,ROTOR				
△	508	QAR0169-002	STATOR ASSY				
	509	QYSPSPH2606Z	SCREW,X2,STATOR				
	510	QYTDST2610Z	SCREW,X3 DRUM				
△	511	LP10140-003G	BOTTOM CHASSIS				
△	512	PQ11921-1-4	BOTTOM COVER				
	513	LP30312-001B	BRACKET(CHASSIS)				
	514	QYTDSF3010Z	SCREW,X2 BRACKET(CHASSIS)				
	515	LP40700-001A	SPECIAL SCREW,MECHA				
	516	QYTDSF3010Z	SCREW,X2 MECHA				
△	517	QMP4A10-170	POWER CORD				
	519	LP40407-001A	KNOB ASSY				
	520	LP40370-001E	ROLLER ARM ASSY				
	520A	PDM4311A-1	ROLLER ASS'Y				
	521	PQ45160	INERTIA PLATE				
	522	LP40226-001A	PC SUPPORT,X2				
	525	PQ40413	SPECIAL SCREW,MECHA				
	526	QYTDSF3010M	SCREW,TERMINAL(REAR)				
	527	QYTSPFG3010Z	SCREW,X2 TERMINAL(TOP)				
	530	QYTDSF3010Z	SCREW,X2 MAIN				
	531	LP30806-002A	WINDOW(DOOR)				
	532	QYSLSF2040D	SCREW,WINDOW(DOOR)				
	533	LP40635-001A	S-VHS ET MARK				
	534	QYTDSF2608Z	SCREW,X2,ADV.JOG				
	535	LP31019-006C	KNOB ASSY				
	536	QYTDSF3010Z	SCREW,X2,P/S CONVERTER				
	540	QYTDSF3010Z	SCREW,X2 BOTTOM COVER				
	541	LP40659-001B	EARTH PLATE(2),BOTTOM COVER				
	543	PQ46617A-1	FOOT ASSY,X2				
	544	PQ35504-2	FOOT(2),X2				
	WR1	QUQ112-0720CG	FFC WIRE,AC HEAD				
	WR2	QUQ212-0518CG	FFC WIRE,DRUM				
	WR3	QUQ112-1414CG	FFC WIRE,DISPLAY				
	WR4	QUQ112-1407CG	FFC WIRE,TERMINAL				
	WR5	QUQ112-1115CG	FFC WIRE,JACK				
	WR6	QUQ212-0416CG	FFC WIRE,ADV.JOG				
	WR8	QUQ112-0826CG	FFC WIRE,NAVIGATION				
	WR9	QUQ112-1014CG	FFC WIRE,P/S CONVERTER				
	WR10	QUQF12-0826CG	FFC WIRE,P/S CONVERTER				

5.3 MECHANISM ASSEMBLY <M4>



Classification	Part No.	Symbol in drawing
Grease	KYODO-SH-P	AA
Oil	COSMO-HV56	BB

NOTE:The section marked in **AA** and **BB** indicate lubrication and greasing areas.

#	△	REF No.	PART No.	PART NAME, DESCRIPTION	#	△	REF No.	PART No.	PART NAME, DESCRIPTION

MECHANISM ASSEMBLY <M4>									
1			LP20821-002F	MAIN DECK ASSY	74			LP40109-003D	TENSION BRAKE ASSY
1A			LP40275-004B	PLATE(SUPPLY)	75			PQ46302-1-3	ADJUST PIN
1B			QYTDST2605Z	SCREW,X4	76			LP30232-002A	TENSION ARM BEARING
3			LP30492-002B	GIDE POLE GUARD	78			LP40532-009B	MAIN BRAKE ASSY (SUPPLY)
4			NAH0001-001	FULL ERASE HEAD	80			LP40111-014C	MAIN BRAKE ASSY (TAKE UP)
5			LP40098-001B	GUIDE POLE(SUPPLY)	81			LP30003-029A	TENSION SPRING
6			QYTDST2608Z	SCREW	82			LP40112-001F	SUB BRAKE ASSY(TAKE UP)
7			LP40637-002A	TENSION STUD BASE ASSY	83			LP40357-001B	TENSION SPRING
10			QYTDST2606Z	SCREW	84			LP40461-001A	CAPSTAN BRAKE ASSY
11			LP30409-002C	UV CATCHER 2(SUPPLY)	85			QAR0132-001	CAPSTAN MOTOR
12			LP30409-002C	UV CATCHER 2(TAKE UP)	86			QYTDST2606M	SCREW,X3
13			QYTPST2606Z	SCREW,X2	87			LP30005-008A	BELT,CAPSTAN MOTOR
14			PQ40919-10	SPACER	88			LP40114-011B	IDLER ARM ASSY
15			LP30223-003C	LOADING ARM GEAR SHAFT	89			LP30016-001A	SLIT WASHER
16			QYTDST2606Z	SCREW	90			LP40593-003B	CLUTCH UNIT 3
18			LP30224-001B	LOADING ARM GEAR(SUPPLY)	91			LP30002-097A	SPACER,CAPSTAN MOTOR
19			LP40099-001A	TORSION ARM	92			PQM30017-47	SLIT WASHER
20			LP40100-001A	PIN	93			LP30696-002A	CLUTCH GEAR 4
21			LP40101-006A	POLE BASE ASSY(SUPPLY)	94			LP30697-003A	COUPLING GEAR
22			QYSPSTG2606Z	SCREW	95			LP40554-002A	COMPRESSION SPRING
23			LP40103-002B	LOADING ARM GEAR(TAKE UP)	96			LP40442-001A	DIRECT GEAR
24			LP40099-001A	TORSION ARM	97			LP30017-019A	SPACER
25			LP40100-001A	PIN	99			LP40483-002A	COMPRESSION SPRING
26			LP40104-006A	POLE BASE ASSY(TAKE UP)	100			LP30016-001A	SLIT WASHER
27			QYSPSTG2606Z	SCREW	102			LP40484-003B	CHANGE LEVER ASSY
31			LP20233-004B	ROTARY ENCODER GUIDE	103			LP40512-002B	COMPRESSION SPRING
32			QYTPST2606Z	SCREW	104			LP30236-002C	IDLER LEVER
34			LP30226-004E	CONTROL PLATE GUIDE	105			LP20237-003B	REEL DISK ASSY(SUPPLY)
35			QYTPST2605Z	SCREW	106			LP20238-003B	REEL DISK ASSY(TAKE UP)
36			LP30249-003B	TAKE UP LEVER	107			LP30017-015A	SPACER,X2
37			LP30003-006A	TENSION SPRING	108			QSW0554-003	ROTARY ENCODER
38			LP40119-002A	T.UP HEAD	109			LP40746-001A	SPECIAL SCREW
39			LP20234-004B	LID GUIDE	110			LP30237-002B	CASSETTE GEAR
40			QYTDST2606Z	SCREW,X2	111			LP30239-002G	LIMIT GEAR(1)
42			LP40105-003A	PINCH ROLLER ARM ASSY	112			LP30240-002G	LIMIT GEAR(2)
43			LP40753-001A	PINCH ROLLER SHEET 3	113			LP40136-001E	TORSION SPRING
44			LP40148-002A	TORSION SPRING	114			LP30242-002A	RELAY GEAR
46			LP40149-001C	PRESS LEVER ASSY	115			LP30339-002E	OPENER GUIDE
49			LP40106-007A	GUIDE ARM ASSY	116			LP40545-001A	TORSION SPRING
51			LP40134-001C	TENSION SPRING	117			LP40214-001B	C.H.BRACKET
52			QAH0010-005	AC HEAD	118			PQM30017-47	SLIT WASHER,X2
53			LP30228-001C	HEAD BASE	119			LP30243-002A	DRIVE GEAR
54			LP30004-013A	COMPRESSION SPRING,X3	120			LP20240-001G	DRIVE ARM
55			LP40236-001A	COMPRESSION SPRING	121			LP40137-001A	TORSION SPRING
57			LP40213-002B	SPECIAL SCREW,X3	122			LP10081-002P	SIDE HOLDER(L)
58			QYTDST2608Z	SCREW,X2	123			LP10082-002U	SIDE HOLDER(R)
59			QAR0023-001	LOADING MOTOR	124			LP30255-006B	LOCK LEVER(L)
60			PQ43546-1-2	MOTOR PULLEY	127			LP30256-001H	LOCK LEVER(R)
61			LP30230-003D	MOTOR GUIDE	128			LP40168-003A	TORSION SPRING(L)
62			QYTPSP3003Z	SCREW,X2	129			LP40218-001B	TORSION SPRING(R)
63			LP30005-003A	BELT,LOADING MOTOR	130			LP30257-001G	CASSETTE HOLDER
64			LP20791-002D	CONTROL CAM	131			LP40852-001A	EARTH PLATE
65			PQM30017-24	SLIT WASHER	132			LP30244-002G	GUIDE RAIL
66			LP40120-001A	WORM GEAR	134			LP30245-002F	REC SAFETY LEVER
67			LP40107-002A	LINK LEVER ASSY	135			LP30003-004A	TENSION SPRING
68			PQM30017-24	SLIT WASHER	137			LP20578-001C	TOP GUIDE
69			LP10284-002E	CONTROL PLATE	138			LP30500-001C	HOLD PLATE
70			LP40379-001B	CONTROL BRACKET(1)	139			LP40450-003A	PAD,X2
71			QYTDST2608M	SCREW	140			LP30003-025B	TENSION SPRING
72			LP40108-002A	TENSION ARM ASSY	141			LP30003-024A	TENSION SPRING
73			LP30003-010A	TENSION SPRING	142			LP40481-003A	ROLLER CAM ASSY
					143			LP30019-014A	PAD,X2
					151			LP20324-003C	DOOR OPENER
					152			LP30493-001B	START SENSOR CAP

5.4 ELECTRICAL PARTS LIST

#	△ REF No.	PART No.	PART NAME, DESCRIPTION

MAIN BOARD ASSEMBLY <03>			
PW1		LPA10147-03A1	MAIN BOARD ASSY
IC1		JCP8050-MSA	IC
IC2		MM1113XF	IC
IC3001		HD6432194SAD18F	IC
		or HD64F2194CFD18	IC
IC3002		S-80727AN-DQ-X	IC
		or S-80827ANUP-W	IC
		or R3111H271A	IC
IC3003		AT24C16N-10SC-X	IC
		or BR24C16F	IC
		or X24C16S	IC
		or 24LC16B/SN-X	IC
IC3004		BA6956AN	IC
IC3601		BU2090FS	IC
IC3651		BU2090FS	IC
IC5101		STR-G6551	IC
IC5301		LA5644	IC
Q5		2SB1218A/QR/-X	TRANSISTOR
		or 2PA1576/R/-X	TRANSISTOR
		or 2SA1576A/QR/-X	TRANSISTOR
Q7		2SD1819A/QRS/-X	TRANSISTOR
		or 2SC4081/QRS/-X	TRANSISTOR
		or 2PC4081/R/-X	TRANSISTOR
Q8		2SD1819A/QRS/-X	TRANSISTOR
		or 2PC4081/R/-X	TRANSISTOR
		or 2SC4081/QRS/-X	TRANSISTOR
Q9		2SB1218A/QR/-X	TRANSISTOR
		or 2SA1576A/QR/-X	TRANSISTOR
		or 2PA1576/R/-X	TRANSISTOR
Q10		2SA1576A/QR/-X	TRANSISTOR
Q14		DTA144WU	TRANSISTOR
		or PDTA144WU	TRANSISTOR
		or RN2309	TRANSISTOR
		or UN511E	TRANSISTOR
Q17		DTC144WU	TRANSISTOR
		or PDTC144WU	TRANSISTOR
		or RN1309	TRANSISTOR
		or UN521E	TRANSISTOR
Q21		2SB1218A/QR/-X	TRANSISTOR
		or 2SA1576A/QR/-X	TRANSISTOR
		or 2PA1576/R/-X	TRANSISTOR
Q24		2SB1218A/QR/-X	TRANSISTOR
		or 2PA1576/R/-X	TRANSISTOR
		or 2SA1576A/QR/-X	TRANSISTOR
Q25		DTC144WU	TRANSISTOR
		or PDTC144WU	TRANSISTOR
		or RN1309	TRANSISTOR
		or UN521E	TRANSISTOR
Q31		2SB1218A/QR/-X	TRANSISTOR
		or 2PA1576/R/-X	TRANSISTOR
		or 2SA1576A/QR/-X	TRANSISTOR
Q38		2SD1819A/QRS/-X	TRANSISTOR
		or 2SC4081/QRS/-X	TRANSISTOR
		or 2PC4081/R/-X	TRANSISTOR
Q41		DTC144WU	TRANSISTOR
		or PDTC144WU	TRANSISTOR
		or RN1309	TRANSISTOR

#	△ REF No.	PART No.	PART NAME, DESCRIPTION
		or UN521E	TRANSISTOR
Q401		2SA1576A/QR/-X	TRANSISTOR
Q402		2SA1576A/QR/-X	TRANSISTOR
Q403		DTC144WU	TRANSISTOR
		or PDTC144WU	TRANSISTOR
		or RN1309	TRANSISTOR
		or UN521E	TRANSISTOR
Q404		DTC144WU	TRANSISTOR
		or PDTC144WU	TRANSISTOR
		or RN1309	TRANSISTOR
		or UN521E	TRANSISTOR
Q405		2SA1576A/QR/-X	TRANSISTOR
Q2001		2SC4081/QRS/-X	TRANSISTOR
		or 2PC4081/R/-X	TRANSISTOR
		or 2SD1819A/QRS/-X	TRANSISTOR
Q2002		2SC4081/QRS/-X	TRANSISTOR
		or 2PC4081/R/-X	TRANSISTOR
		or 2SD1819A/QRS/-X	TRANSISTOR
Q2003		DTA144WU	TRANSISTOR
		or PDTA144WU	TRANSISTOR
		or RN2309	TRANSISTOR
		or UN511E	TRANSISTOR
Q2004		DTC144WU	TRANSISTOR
		or PDTC144WU	TRANSISTOR
		or RN1309	TRANSISTOR
		or UN521E	TRANSISTOR
Q2011		DTC144WU	TRANSISTOR
		or PDTC144WU	TRANSISTOR
		or RN1309	TRANSISTOR
		or UN521E	TRANSISTOR
Q2052		2SA1576A/QR/-X	TRANSISTOR
		or 2SB1218A/QR/-X	TRANSISTOR
		or 2PA1576/R/-X	TRANSISTOR
Q2053		DTC144WU	TRANSISTOR
		or PDTC144WU	TRANSISTOR
		or RN1309	TRANSISTOR
		or UN521E	TRANSISTOR
Q2054		2SA1576A/QR/-X	TRANSISTOR
		or 2PA1576/R/-X	TRANSISTOR
		or 2SB1218A/QR/-X	TRANSISTOR
Q2061		2SC4081/QRS/-X	TRANSISTOR
		or 2SD1819A/QRS/-X	TRANSISTOR
		or 2PC4081/R/-X	TRANSISTOR
Q2062		2SA1576A/QR/-X	TRANSISTOR
		or 2PA1576/R/-X	TRANSISTOR
		or 2SB1218A/QR/-X	TRANSISTOR
Q2251		DTA144WU	TRANSISTOR
		or PDTA144WU	TRANSISTOR
		or RN2309	TRANSISTOR
		or UN511E	TRANSISTOR
Q2252		DTC114EU	TRANSISTOR
		or PDTC114EU	TRANSISTOR
		or RN1302	TRANSISTOR
		or UN5211	TRANSISTOR
Q3001		2SD1819A/QRS/-X	TRANSISTOR
		or 2SC4081/QRS/-X	TRANSISTOR
		or 2PC4081/R/-X	TRANSISTOR
Q3002		PTZ-NV16	PHOTO TRANSISTOR
		or PTZ-NV16A	PHOTO TRANSISTOR
Q3003		PTZ-NV16	PHOTO TRANSISTOR
		or PTZ-NV16A	PHOTO TRANSISTOR

#	△	REF No.	PART No.	PART NAME, DESCRIPTION	#	△	REF No.	PART No.	PART NAME, DESCRIPTION
			Q3004	2SD1819A/QRS/-X or 2PC4081/R/-X or 2SC4081/QRS/-X				or PDTC114EU or RN1302 or UN5211	TRANSISTOR TRANSISTOR TRANSISTOR
			Q3005	2SD1819A/QRS/-X or 2SC4081/QRS/-X or 2PC4081/R/-X			Q6032	DTC114EU or PDTC114EU or UN5211 or RN1302	TRANSISTOR TRANSISTOR TRANSISTOR TRANSISTOR
			Q3007	UN521E or RN1309 or DTC144WU or PDTC144WU			Q7201	2SC1317/RS/-T	TRANSISTOR
			Q3009	UN521E or RN1309 or DTC144WU or PDTC144WU			D6	MTZJ5.1C	ZENER DIODE
			Q4001	UN5211 or RN1302 or DTC114EU or PDTC114EU			D8	QUY153-050Y	IM BUS WIRE
			Q4002	UN5211 or RN1302 or PDTC114EU or DTC114EU			D2001	1SS355	DIODE
			Q4003	UN5211 or RN1302 or PDTC114EU or DTC114EU			D2202	MTZJ8.2C	ZENER DIODE
			Q5301	2SB1256			D3001	LNB2301L01VI	LE DIODE
			Q5302	DTC114TU or PDTC114TU or RN1311 or UN5215			D3002	1SS133	DIODE
			Q5303	2SD2144S/UV/-T			D3003	RD39ES/B3/-T2 or MTZJ39C	ZENER DIODE ZENER DIODE
			Q5304	2SD1450/ST/-T or 2SD1302/ST/-T			D3004	11E2-T5	DIODE
			Q5305	UN5111 or PDA114EU or RN2302 or DTA114EU			D3005	11E2-T5	DIODE
			Q5310	DTC114EU or PDTC114EU or RN1302 or UN5211			D3007	1SS355	DIODE
			Q5311	2SA1576A/RS/-X			D3008	1SS355	DIODE
			Q5312	2SD2144S/UV/-T			D4001	1SS355	DIODE
			Q5318	DTA114EU or PDA114EU or RN2302 or UN5111			D4002	1SS355	DIODE
			Q5320	2SB1256			D5001	S1WB/A/60-4102 or S1WB(A)60F4072X or S1WB/A/60-X	BRIDGE DIODE BRIDGE DIODE BRIDGE DIODE
			Q5321	DTC114TU or RN1311 or UN5215 or PDTC114TU			D5101	AU01 or ERA18-04-T2 or 10ELS4 or 1SR153-400-T2	FR DIODE FR DIODE FR DIODE FR DIODE
			Q5322	DTA114EU or PDA114EU or RN2302 or UN5111			D5102	AU01 or 1SR153-400-T2 or 10ELS4 or ERA18-04-T2	FR DIODE FR DIODE FR DIODE FR DIODE
			Q6030	2SB1218A/QR/-X or 2SA1576A/QR/-X or 2PA1576/R/-X			D5103	AU01Z or ERA18-02-T2 or PG104RS or 10ELS2 or 1SR153-400-T2	FR DIODE FR DIODE FR DIODE FR DIODE FR DIODE
			Q6031	DTC114EU			D5201	AK04 or 1S4 or 11EQS04	DIODE SB DIODE SB DIODE
							D5202	FML-12S or FCF06A20 or SF5LC20U or ER602FCT or YG901C2	FR DIODE FR DIODE FR DIODE FR DIODE FR DIODE
							D5206	FMB-24 or SB640FCT or SF5SC4 or YG801C04 or FSQ05A04B	BARRIER DIODE SB DIODE SB DIODE SB DIODE
							D5209	ERA18-02-T2 or PG104RS or 10ELS2 or 1SR153-400-T2	FR DIODE FR DIODE FR DIODE FR DIODE
							D5210	AU01Z or ERA18-02-T2 or PG104RS or 10ELS2 or 1SR153-400-T2	FR DIODE FR DIODE FR DIODE FR DIODE FR DIODE
							D5211	AU01Z	FR DIODE

#	△ REF No.	PART No.	PART NAME, DESCRIPTION		#	△ REF No.	PART No.	PART NAME, DESCRIPTION	
		or PG104RS	FR DIODE		R48		NRSA02J-102X	MG RESISTOR	1kΩ,1/10W
		or 1SR153-400-T2	FR DIODE		R51		NRSA02J-122X	MG RESISTOR	1.2kΩ,1/10W
		or ERA18-02-T2	FR DIODE		R60		NRSA02J-102X	MG RESISTOR	1kΩ,1/10W
		or 10ELS2	FR DIODE		R61		NRSA02J-102X	MG RESISTOR	1kΩ,1/10W
D5214		ERA18-02-T2	FR DIODE		R68		NRSA02J-222X	MG RESISTOR	2.2kΩ,1/10W
		or PG104RS	FR DIODE		R70		NRSA02J-0R0X	MG RESISTOR	0Ω,1/10W
		or 10ELS2	FR DIODE		R77		NRSA02J-223X	MG RESISTOR	22kΩ,1/10W
		or 1SR153-400-T2	FR DIODE		R79		NCB21AK-105X	CAPACITOR	1μF,10V
D5301		MTZJ15A	ZENER DIODE		R84		NRSA02J-103X	MG RESISTOR	10kΩ,1/10W
		or RD15ES/B1/-T2	ZENER DIODE		R88		NRSA02J-0R0X	MG RESISTOR	0Ω,1/10W
D5302		MTZJ6.8A	ZENER DIODE		R90		NRSA02J-391X	MG RESISTOR	390Ω,1/10W
		or RD6.8ES/B1/-T2	ZENER DIODE		R92		NRSA02J-152X	MG RESISTOR	1.5kΩ,1/10W
D5303		MTZJ27C	ZENER DIODE		R93		NRSA02J-222X	MG RESISTOR	2.2kΩ,1/10W
		or RD27ES/B3/-T2	ZENER DIODE		R104		NRSA02J-682X	MG RESISTOR	6.8kΩ,1/10W
D5304		1SS133	DIODE		R113		NRSA02J-101X	MG RESISTOR	100Ω,1/10W
		or 1SS270A	DIODE		R114		NRSA02J-0R0X	MG RESISTOR	0Ω,1/10W
D5305		11ES2	DIODE		R117		NRSA02J-104X	MG RESISTOR	100kΩ,1/10W
		or ERA15-02-T2	DIODE		R401		NRSA02J-221X	MG RESISTOR	220Ω,1/10W
		or 1A3G	DIODE		R402		NRSA02J-681X	MG RESISTOR	680Ω,1/10W
D5306		MTZJ11C	ZENER DIODE		R403		NRSA02J-561X	MG RESISTOR	560Ω,1/10W
		or RD11ES/B3/-T2	ZENER DIODE		R404		NRSA02J-473X	MG RESISTOR	47kΩ,1/10W
D5307		1SS133	DIODE		R405		NRSA02J-683X	MG RESISTOR	68kΩ,1/10W
		or 1SS270A	DIODE		R406		NRSA02J-393X	MG RESISTOR	39kΩ,1/10W
D5309		1SS133	DIODE		R407		NRSA02J-472X	MG RESISTOR	4.7kΩ,1/10W
		or 1SS270A	DIODE		R408		NRSA02J-473X	MG RESISTOR	47kΩ,1/10W
D5310		MTZJ11C	ZENER DIODE		R409		NRSA02J-103X	MG RESISTOR	10kΩ,1/10W
		or RD11ES/B3/-T2	ZENER DIODE		R2003		QRE141J-101Y	RESISTOR	100Ω,1/4W
D5314		QUY160-100Y	IM BUS WIRE		R2005		QRE141J-0R0Y	RESISTOR	0Ω,1/4W
D5315		11ES2	DIODE		R2006		QRE141J-393Y	RESISTOR	39kΩ,1/4W
		or 1A3G	DIODE		R2007		NRSA02J-393X	MG RESISTOR	39kΩ,1/10W
		or ERA15-02-T2	DIODE		R2008		NRSA02J-123X	MG RESISTOR	12kΩ,1/10W
D5316		QUY160-100Y	IM BUS WIRE		R2009		NRSA02J-123X	MG RESISTOR	12kΩ,1/10W
D6002		HZ30-2L-T2	ZENER DIODE		R2010		NRSA02J-123X	MG RESISTOR	12kΩ,1/10W
		or HZ30-2LTD	Z DIODE (M)		R2011		NRSA02J-103X	MG RESISTOR	10kΩ,1/10W
R1		NRVA02D-682X	CMF RESISTOR	6.8kΩ,1/10W	R2013		NRSA02J-682X	MG RESISTOR	6.8kΩ,1/10W
R2		NRVA02D-152X	CMF RESISTOR	1.5kΩ,1/10W	R2014		NRSA02J-224X	MG RESISTOR	220kΩ,1/10W
R3		NRSA02J-182X	MG RESISTOR	1.8kΩ,1/10W	R2015		NRSA02J-181X	MG RESISTOR	180Ω,1/10W
R4		NRSA02J-0R0X	MG RESISTOR	0Ω,1/10W	R2016		NRSA02J-393X	MG RESISTOR	39kΩ,1/10W
R5		NRSA02J-0R0X	MG RESISTOR	0Ω,1/10W	R2017		NRSA02J-183X	MG RESISTOR	18kΩ,1/10W
R6		NRSA02J-273X	MG RESISTOR	27kΩ,1/10W	R2018		NRSA02J-472X	MG RESISTOR	4.7kΩ,1/10W
R7		NRSA02J-681X	MG RESISTOR	680Ω,1/10W	R2019		NRSA02J-472X	MG RESISTOR	4.7kΩ,1/10W
R8		NRSA02J-0R0X	MG RESISTOR	0Ω,1/10W	R2020		NRSA02J-102X	MG RESISTOR	1kΩ,1/10W
R9		NRSA02J-0R0X	MG RESISTOR	0Ω,1/10W	R2025		NRSA02J-472X	MG RESISTOR	4.7kΩ,1/10W
R23		NRSA02J-182X	MG RESISTOR	1.8kΩ,1/10W	R2053		NRSA02J-472X	MG RESISTOR	4.7kΩ,1/10W
R24		NRSA02J-331X	MG RESISTOR	330Ω,1/10W	R2056		NRSA02J-101X	MG RESISTOR	100Ω,1/10W
R25		NRSA02J-103X	MG RESISTOR	10kΩ,1/10W	R2057		NRSA02J-473X	MG RESISTOR	47kΩ,1/10W
R26		NRSA02J-682X	MG RESISTOR	6.8kΩ,1/10W	R2058		NRSA02J-183X	MG RESISTOR	18kΩ,1/10W
R27		NRSA02J-221X	MG RESISTOR	220Ω,1/10W	R2059		NRSA02J-473X	MG RESISTOR	47kΩ,1/10W
R28		NRSA02J-221X	MG RESISTOR	220Ω,1/10W	R2060		NRSA02J-183X	MG RESISTOR	18kΩ,1/10W
R29		NRSA02J-561X	MG RESISTOR	560Ω,1/10W	R2061		NRSA02J-273X	MG RESISTOR	27kΩ,1/10W
R30		NRSA02J-0R0X	MG RESISTOR	0Ω,1/10W	R2062		NRSA02J-3R3X	MG RESISTOR	3.3Ω,1/10W
R31		NRSA02J-152X	MG RESISTOR	1.5kΩ,1/10W	R2063		NRSA02J-151X	MG RESISTOR	150Ω,1/10W
R32		NRSA02J-471X	MG RESISTOR	470Ω,1/10W	R2064		NRSA02J-473X	MG RESISTOR	47kΩ,1/10W
R34		NDC21HJ-470X	CAPACITOR	47pF,50V	R2065		NRSA02J-183X	MG RESISTOR	18kΩ,1/10W
R36		NRSA02J-182X	MG RESISTOR	1.8kΩ,1/10W	R2201		NRSA02J-680X	MG RESISTOR	68Ω,1/10W
R38		NRSA02J-102X	MG RESISTOR	1kΩ,1/10W	R2202		NRSA02J-222X	MG RESISTOR	2.2kΩ,1/10W
R40		NRSA02J-222X	MG RESISTOR	2.2kΩ,1/10W	R2203		NRSA02J-222X	MG RESISTOR	2.2kΩ,1/10W
R41		NRSA02J-392X	MG RESISTOR	3.9kΩ,1/10W	R2204		NRSA02J-102X	MG RESISTOR	1kΩ,1/10W
R42		NRSA02J-681X	MG RESISTOR	680Ω,1/10W	R2205		NRSA02J-102X	MG RESISTOR	1kΩ,1/10W
R46		NRSA02J-221X	MG RESISTOR	220Ω,1/10W	R2206		QRE141J-101Y	RESISTOR	100Ω,1/4W
R47		NRSA02J-821X	MG RESISTOR	820Ω,1/10W	R2208		QRE141J-101Y	RESISTOR	100Ω,1/4W

#	△	REF No.	PART No.	PART NAME, DESCRIPTION		#	△	REF No.	PART No.	PART NAME, DESCRIPTION	
R2209			QRE141J-101Y	RESISTOR	100Ω,1/4W	R3073			NRSA02J-0R0X	MG RESISTOR	0Ω,1/10W
R2210			NRSA02J-103X	MG RESISTOR	10kΩ,1/10W	R3074			QUY160-100Y	IM BUS WIRE	
R2211			NRSA02J-103X	MG RESISTOR	10kΩ,1/10W	R3075			NRSA02J-471X	MG RESISTOR	470Ω,1/10W
R2213			NRSA02J-393X	MG RESISTOR	39kΩ,1/10W	R3076			NRSA02J-471X	MG RESISTOR	470Ω,1/10W
R2215			NRSA02J-153X	MG RESISTOR	15kΩ,1/10W	R3079			NRSA02J-472X	MG RESISTOR	4.7kΩ,1/10W
R2217			NRSA02J-0R0X	MG RESISTOR	0Ω,1/10W	R3083			NRSA02J-0R0X	MG RESISTOR	0Ω,1/10W
R2218			NRSA02J-393X	MG RESISTOR	39kΩ,1/10W	R3085			NRSA02J-0R0X	MG RESISTOR	0Ω,1/10W
R2219			QRE141J-393Y	RESISTOR	39kΩ,1/4W	R3086			NRSA02J-0R0X	MG RESISTOR	0Ω,1/10W
R2220			NRSA02J-393X	MG RESISTOR	39kΩ,1/10W	R3087			NRSA02J-0R0X	MG RESISTOR	0Ω,1/10W
R2222			NRSA02J-123X	MG RESISTOR	12kΩ,1/10W	R3088			NRSA02J-0R0X	MG RESISTOR	0Ω,1/10W
R2223			NRSA02J-123X	MG RESISTOR	12kΩ,1/10W	R3089			NRSA02J-0R0X	MG RESISTOR	0Ω,1/10W
R2224			NRSA02J-123X	MG RESISTOR	12kΩ,1/10W	R3090			NRSA02J-0R0X	MG RESISTOR	0Ω,1/10W
R2225			NRSA02J-153X	MG RESISTOR	15kΩ,1/10W	R3091			NRSA02J-102X	MG RESISTOR	1kΩ,1/10W
R2226			NRSA02J-123X	MG RESISTOR	12kΩ,1/10W	R3094			QUY160-100Y	IM BUS WIRE	
R2227			NRSA02J-123X	MG RESISTOR	12kΩ,1/10W	R3095			QUY160-100Y	IM BUS WIRE	
R2228			NRSA02J-103X	MG RESISTOR	10kΩ,1/10W	R3096			QUY160-100Y	IM BUS WIRE	
R2229			QRE141J-563Y	RESISTOR	56kΩ,1/4W	R3097			NRSA02J-0R0X	MG RESISTOR	0Ω,1/10W
R2232			NRSA02J-680X	MG RESISTOR	68Ω,1/10W	R3103			NRSA02J-0R0X	MG RESISTOR	0Ω,1/10W
R2251			NRSA02J-102X	MG RESISTOR	1kΩ,1/10W	R3105			NRSA02J-102X	MG RESISTOR	1kΩ,1/10W
R2252			NRSA02J-103X	MG RESISTOR	10kΩ,1/10W	R3106			NRSA02J-102X	MG RESISTOR	1kΩ,1/10W
R3011			QUY160-100Y	IM BUS WIRE		R3201			NRSA02J-103X	MG RESISTOR	10kΩ,1/10W
R3012			NRSA02J-0R0X	MG RESISTOR	0Ω,1/10W	R3202			NRSA02J-472X	MG RESISTOR	4.7kΩ,1/10W
R3013			NRSA02J-0R0X	MG RESISTOR	0Ω,1/10W	R3203			NRSA02J-103X	MG RESISTOR	10kΩ,1/10W
R3016			QUY160-100Y	IM BUS WIRE		R3204			NRSA02J-222X	MG RESISTOR	2.2kΩ,1/10W
R3017			QUY160-100Y	IM BUS WIRE		R3205			QRE141J-181Y	RESISTOR	180Ω,1/4W
R3018			QRE141J-682Y	RESISTOR	6.8kΩ,1/4W	R3206			QRE141J-183Y	RESISTOR	18kΩ,1/4W
R3019			QUY160-100Y	IM BUS WIRE		R3207			NRSA02J-183X	MG RESISTOR	18kΩ,1/10W
R3022			NRSA02J-0R0X	MG RESISTOR	0Ω,1/10W	R3208			NRSA02J-181X	MG RESISTOR	180Ω,1/10W
R3025			NRSA02J-0R0X	MG RESISTOR	0Ω,1/10W	R3209			NRSA02J-273X	MG RESISTOR	27kΩ,1/10W
R3026			NRSA02J-0R0X	MG RESISTOR	0Ω,1/10W	R3210			NRSA02J-181X	MG RESISTOR	180Ω,1/10W
R3027			NRSA02J-0R0X	MG RESISTOR	0Ω,1/10W	R3211			NRSA02J-273X	MG RESISTOR	27kΩ,1/10W
R3029			NRSA02J-472X	MG RESISTOR	4.7kΩ,1/10W	R3212			NRSA02J-474X	MG RESISTOR	470kΩ,1/10W
R3030			NRSA02J-472X	MG RESISTOR	4.7kΩ,1/10W	R3213			NRSA02J-334X	MG RESISTOR	330kΩ,1/10W
R3031			NRSA02J-0R0X	MG RESISTOR	0Ω,1/10W	R3214			NRSA02J-103X	MG RESISTOR	10kΩ,1/10W
R3032			NRSA02J-0R0X	MG RESISTOR	0Ω,1/10W	R3215			NRSA02J-103X	MG RESISTOR	10kΩ,1/10W
R3034			NRSA02J-0R0X	MG RESISTOR	0Ω,1/10W	R3216			NRSA02J-103X	MG RESISTOR	10kΩ,1/10W
R3038			NRSA02J-152X	MG RESISTOR	1.5kΩ,1/10W	R3217			NRSA02J-562X	MG RESISTOR	5.6kΩ,1/10W
R3040			NRSA02J-0R0X	MG RESISTOR	0Ω,1/10W	R3218			QRE141J-472Y	RESISTOR	4.7kΩ,1/4W
R3041			NRSA02J-0R0X	MG RESISTOR	0Ω,1/10W	R3219			NRSA02J-472X	MG RESISTOR	4.7kΩ,1/10W
R3042			NRSA02J-0R0X	MG RESISTOR	0Ω,1/10W	R3220			NRSA02J-104X	MG RESISTOR	100kΩ,1/10W
R3044			QUY153-050Y	IM BUS WIRE		R3222			NRSA02J-472X	MG RESISTOR	4.7kΩ,1/10W
R3046			QRE141J-102Y	RESISTOR	1kΩ,1/4W	R3223			NRSA02J-472X	MG RESISTOR	4.7kΩ,1/10W
R3047			QRE141J-102Y	RESISTOR	1kΩ,1/4W	R3224			NRSA02J-472X	MG RESISTOR	4.7kΩ,1/10W
R3048			QRE141J-102Y	RESISTOR	1kΩ,1/4W	R3225			NRSA02J-103X	MG RESISTOR	10kΩ,1/10W
R3049			NRSA02J-331X	MG RESISTOR	330Ω,1/10W	R3229			NRSA02J-105X	MG RESISTOR	1MΩ,1/10W
R3050			NRSA02J-331X	MG RESISTOR	330Ω,1/10W	R3230			NRSA02J-472X	MG RESISTOR	4.7kΩ,1/10W
R3051			NRSA02J-471X	MG RESISTOR	470Ω,1/10W	R3231			NRSA02J-102X	MG RESISTOR	1kΩ,1/10W
R3052			NRSA02J-471X	MG RESISTOR	470Ω,1/10W	R3233			NRSA02J-103X	MG RESISTOR	10kΩ,1/10W
R3053			NRSA02J-471X	MG RESISTOR	470Ω,1/10W	R3234			NRSA02J-103X	MG RESISTOR	10kΩ,1/10W
R3054			NRSA02J-0R0X	MG RESISTOR	0Ω,1/10W	R3235			NRSA02J-332X	MG RESISTOR	3.3kΩ,1/10W
R3055			NRSA02J-0R0X	MG RESISTOR	0Ω,1/10W	R3236			NRSA02J-332X	MG RESISTOR	3.3kΩ,1/10W
R3058			NRSA02J-102X	MG RESISTOR	1kΩ,1/10W	R3237			QRE141J-103Y	RESISTOR	10kΩ,1/4W
R3059			NRSA02J-102X	MG RESISTOR	1kΩ,1/10W	R3238			QRE141J-103Y	RESISTOR	10kΩ,1/4W
R3060			NRSA02J-102X	MG RESISTOR	1kΩ,1/10W	R3241			NRSA02J-104X	MG RESISTOR	100kΩ,1/10W
R3061			NRSA02J-102X	MG RESISTOR	1kΩ,1/10W	R3242			NRSA02J-472X	MG RESISTOR	4.7kΩ,1/10W
R3062			NRSA02J-0R0X	MG RESISTOR	0Ω,1/10W	R3245			NRSA02J-0R0X	MG RESISTOR	0Ω,1/10W
R3063			NRSA02J-472X	MG RESISTOR	4.7kΩ,1/10W	R3251			NRSA02J-103X	MG RESISTOR	10kΩ,1/10W
R3066			QRE141J-472Y	RESISTOR	4.7kΩ,1/4W	R3256			NRSA02J-0R0X	MG RESISTOR	0Ω,1/10W
R3069			NRSA02J-101X	MG RESISTOR	100Ω,1/10W	R3257			NRSA02J-103X	MG RESISTOR	10kΩ,1/10W
R3071			NRSA02J-103X	MG RESISTOR	10kΩ,1/10W	R3258			NRSA02J-103X	MG RESISTOR	10kΩ,1/10W
R3072			NRSA02J-0R0X	MG RESISTOR	0Ω,1/10W	R3260			NRSA02J-103X	MG RESISTOR	10kΩ,1/10W

#	△ REF No.	PART No.	PART NAME, DESCRIPTION	#	△ REF No.	PART No.	PART NAME, DESCRIPTION	
R3261		NRSA02J-103X	MG RESISTOR	10kΩ,1/10W	R6061	NRSA02J-103X	MG RESISTOR	10kΩ,1/10W
R3671		NRSA02J-103X	MG RESISTOR	10kΩ,1/10W	R6080	NRSA02J-103X	MG RESISTOR	10kΩ,1/10W
R3672		NRSA02J-103X	MG RESISTOR	10kΩ,1/10W	R6508	NRSA02J-0R0X	MG RESISTOR	0Ω,1/10W
R3673		NRSA02J-103X	MG RESISTOR	10kΩ,1/10W	R6510	NRSA02J-0R0X	MG RESISTOR	0Ω,1/10W
R4001		NRSA02J-472X	MG RESISTOR	4.7kΩ,1/10W	R6553	QUY160-100Y	IM BUS WIRE	
R4003		NRSA02J-561X	MG RESISTOR	560Ω,1/10W	R6554	QUY160-100Y	IM BUS WIRE	
R4004		NRSA02J-561X	MG RESISTOR	560Ω,1/10W	R7202	NRSA02J-221X	MG RESISTOR	220Ω,1/10W
R4005		NRSA02J-562X	MG RESISTOR	5.6kΩ,1/10W	R7203	NRSA02J-472X	MG RESISTOR	4.7kΩ,1/10W
R4006		NRSA02J-0R0X	MG RESISTOR	0Ω,1/10W	R7204	QRE121J-100Y	RESISTOR	10Ω,1/2W
R4007		NRSA02J-102X	MG RESISTOR	1kΩ,1/10W	R7251	NRSA02J-750X	MG RESISTOR	75Ω,1/10W
R4008		NRSA02J-102X	MG RESISTOR	1kΩ,1/10W	R7252	NRSA02J-750X	MG RESISTOR	75Ω,1/10W
R4009		NRSA02J-102X	MG RESISTOR	1kΩ,1/10W	R7253	NRSA02J-750X	MG RESISTOR	75Ω,1/10W
R4010		NRSA02J-103X	MG RESISTOR	10kΩ,1/10W	B18	NRSA02J-0R0X	MG RESISTOR	0Ω,1/10W
R4011		NRSA02J-272X	MG RESISTOR	2.7kΩ,1/10W	B26	NRSA02J-0R0X	MG RESISTOR	0Ω,1/10W
R4012		NRSA02J-222X	MG RESISTOR	2.2kΩ,1/10W	B42	NRSA02J-0R0X	MG RESISTOR	0Ω,1/10W
R4013		NRSA02J-102X	MG RESISTOR	1kΩ,1/10W	B44	NRSA02J-0R0X	MG RESISTOR	0Ω,1/10W
R4014		NRSA02J-0R0X	MG RESISTOR	0Ω,1/10W	B47	NRSA02J-0R0X	MG RESISTOR	0Ω,1/10W
R4015		NRSA02J-223X	MG RESISTOR	22kΩ,1/10W	B2204	NRSA02J-0R0X	MG RESISTOR	0Ω,1/10W
R4016		NRSA02J-103X	MG RESISTOR	10kΩ,1/10W	B2205	QUY153-050Y	IM BUS WIRE	
R4017		NRSA02J-102X	MG RESISTOR	1kΩ,1/10W	B3004	NRSA02J-0R0X	MG RESISTOR	0Ω,1/10W
R4018		NRSA02J-102X	MG RESISTOR	1kΩ,1/10W	B3005	QUY160-075Y	IM BUS WIRE	
R4019		NRSA02J-103X	MG RESISTOR	10kΩ,1/10W	B3012	QUY160-200Y	IM BUS WIRE	
R4020		NRSA02J-103X	MG RESISTOR	10kΩ,1/10W	B3030	NRSA02J-0R0X	MG RESISTOR	0Ω,1/10W
R4021		NRSA02J-103X	MG RESISTOR	10kΩ,1/10W	B3063	NRSA02J-0R0X	MG RESISTOR	0Ω,1/10W
R5101		QRG02GJ-104	OMF RESISTOR	100kΩ,2W	B3651	NRSA02J-0R0X	MG RESISTOR	0Ω,1/10W
R5102		QRE141J-330Y	RESISTOR	33Ω,1/4W	B3665	NRSA02J-0R0X	MG RESISTOR	0Ω,1/10W
R5103		NRSA02J-681X	MG RESISTOR	680Ω,1/10W	B5301	NRSA02J-0R0X	MG RESISTOR	0Ω,1/10W
R5104		QRG029J-154G	OMF RESISTOR	150kΩ,2W	B6001	NRSA02J-0R0X	MG RESISTOR	0Ω,1/10W
R5105		QRT01DJ-R39X	MF RESISTOR	0.39Ω,1W	B6032	NRSA02J-0R0X	MG RESISTOR	0Ω,1/10W
R5106		NRSA02J-562X	MG RESISTOR	5.6kΩ,1/10W	B6566	QUY160-150Y	IM BUS WIRE	
R5301		QRE141J-1R0Y	RESISTOR	1Ω,1/4W	B7201	NRSA02J-0R0X	MG RESISTOR	0Ω,1/10W
R5302		NRSA02J-102X	MG RESISTOR	1kΩ,1/10W	B7202	NRSA02J-0R0X	MG RESISTOR	0Ω,1/10W
R5303		NRSA02J-122X	MG RESISTOR	1.2kΩ,1/10W	B7203	NRSA02J-0R0X	MG RESISTOR	0Ω,1/10W
△ R5304		QRZ9005-221X	FUSI RESISTOR	220Ω,1/4W	B7204	NRSA02J-0R0X	MG RESISTOR	0Ω,1/10W
R5305		NRSA02J-471X	MG RESISTOR	470Ω,1/10W	B7205	NRSA02J-0R0X	MG RESISTOR	0Ω,1/10W
R5306		NRSA02J-683X	MG RESISTOR	68kΩ,1/10W	B7206	NRSA02J-0R0X	MG RESISTOR	0Ω,1/10W
R5307		NRSA02J-102X	MG RESISTOR	1kΩ,1/10W	B7207	NRSA02J-0R0X	MG RESISTOR	0Ω,1/10W
R5308		NRSA02J-472X	MG RESISTOR	4.7kΩ,1/10W	B7208	NRSA02J-0R0X	MG RESISTOR	0Ω,1/10W
R5309		QRE141J-222Y	RESISTOR	2.2kΩ,1/4W	B7251	NRSA02J-0R0X	MG RESISTOR	0Ω,1/10W
R5313		QRE141J-222Y	RESISTOR	2.2kΩ,1/4W	B7253	NRSA02J-0R0X	MG RESISTOR	0Ω,1/10W
R5314		NRSA02J-102X	MG RESISTOR	1kΩ,1/10W	B7254	NRSA02J-0R0X	MG RESISTOR	0Ω,1/10W
R5317		NRSA02J-273X	MG RESISTOR	27kΩ,1/10W	B7255	QUY160-125Y	IM BUS WIRE	
R5318		NRSA02J-273X	MG RESISTOR	27kΩ,1/10W	C1	NCB21HK-103X	CAPACITOR	0.01μF,50V
R5319		QRE141J-221Y	RESISTOR	220Ω,1/4W	C2	NCB21HK-103X	CAPACITOR	0.01μF,50V
R5321		QRE141J-221Y	RESISTOR	220Ω,1/4W	C3	NCB21HK-103X	CAPACITOR	0.01μF,50V
R5322		NRSA02J-473X	MG RESISTOR	47kΩ,1/10W	C4	NCB21HK-103X	CAPACITOR	0.01μF,50V
R5323		NRSA02J-473X	MG RESISTOR	47kΩ,1/10W	C5	QEK0JM-476	E CAPACITOR	47μF,6.3V
R5327		NRVA02D-303X	CMF RESISTOR	30kΩ,1/10W	C6	NCB21HK-103X	CAPACITOR	0.01μF,50V
R5329		NRSA02J-103X	MG RESISTOR	10kΩ,1/10W	C7	NCB21HK-102X	CAPACITOR	0.001μF,50V
R5330		NRSA02J-103X	MG RESISTOR	10kΩ,1/10W	C8	NCB21EK-104X	CAPACITOR	0.1μF,25V
R5332		NRSA02J-103X	MG RESISTOR	10kΩ,1/10W	C9	QETN1HM-225	E CAPACITOR	2.2μF,50V
R5334		QRE141J-103Y	RESISTOR	10kΩ,1/4W	C10	NDC21HG-151X	CAPACITOR	150pF,50V
R5335		NRSA02J-472X	MG RESISTOR	4.7kΩ,1/10W	C11	NCB21EK-104X	CAPACITOR	0.1μF,25V
R5336		NRSA02J-222X	MG RESISTOR	2.2kΩ,1/10W	C12	NDC21HJ-8R0X	CAPACITOR	8pF,50V
R6020		NRSA02J-102X	MG RESISTOR	1kΩ,1/10W	C14	NCB21EK-104X	CAPACITOR	0.1μF,25V
R6021		NRSA02J-102X	MG RESISTOR	1kΩ,1/10W	C15	NCB21HK-103X	CAPACITOR	0.01μF,50V
R6030		NRSA02J-102X	MG RESISTOR	1kΩ,1/10W	C16	NCB21EK-104X	CAPACITOR	0.1μF,25V
R6031		NRSA02J-0R0X	MG RESISTOR	0Ω,1/10W	C17	QEKJ1HM-335	E CAPACITOR	3.3μF,50V
R6032		NRSA02J-183X	MG RESISTOR	18kΩ,1/10W	C19	QEKJ1HM-225	E CAPACITOR	2.2μF,50V
R6033		NRSA02J-183X	MG RESISTOR	18kΩ,1/10W	C20	QEKJ1HM-105	E CAPACITOR	1μF,50V
R6060		NRSA02J-103X	MG RESISTOR	10kΩ,1/10W	C21	NCB21EK-104X	CAPACITOR	0.1μF,25V

#	△	REF No.	PART No.	PART NAME, DESCRIPTION		#	△	REF No.	PART No.	PART NAME, DESCRIPTION	
C22			QEKJ0JM-476	E CAPACITOR	47μF,6.3V	C2013			NDC21HJ-3R0X	CAPACITOR	3pF,50V
C23			NCB21EK-104X	CAPACITOR	0.1μF,25V	C2016			NCB21HK-331X	CAPACITOR	330pF,50V
C24			NCB21EK-104X	CAPACITOR	0.1μF,25V	C2021			NCB21HK-682X	CAPACITOR	0.0068μF,50V
C25			NDC21HJ-6R0X	CAPACITOR	6pF,50V	C2051			NCB21HK-331X	CAPACITOR	330pF,50V
C26			NCB21EK-104X	CAPACITOR	0.1μF,25V	C2061			QFLC1HJ-333Z	F CAPACITOR	0.033μF,50V
C27			NCB21HK-223X	CAPACITOR	0.022μF,50V	C2062			NCB21HK-332X	CAPACITOR	0.0033μF,50V
C28			QEKJ1HM-335	E CAPACITOR	3.3μF,50V	C2063			NCB21HK-103X	CAPACITOR	0.01μF,50V
C29			NCB21EK-333X	CAPACITOR	0.033μF,25V	C2064			QEKJ1EM-106	E CAPACITOR	10μF,25V
C30			NCB21CK-474X	CAPACITOR	0.47μF,16V	C2201			NCB21EK-104X	CAPACITOR	0.1μF,25V
C31			QEKJ0JM-476	E CAPACITOR	47μF,6.3V	C2202			NCB21EK-333X	CAPACITOR	0.033μF,25V
C32			QCB1HK-103	CAPACITOR	0.01μF,50V	C2203			QEKJ1EM-106	E CAPACITOR	10μF,25V
C33			QEKJ1HM-225	E CAPACITOR	2.2μF,50V	C2204			QDGB1HK-102Y	CAPACITOR	0.001μF,50V
C34			NCB21EK-104X	CAPACITOR	0.1μF,25V	C2205			QEKJ1HM-105	E CAPACITOR	1μF,50V
C35			NCB21HK-103X	CAPACITOR	0.01μF,50V	C2207			QEKJ1CM-476	E CAPACITOR	47μF,16V
C36			QEKJ1HM-475	E CAPACITOR	4.7μF,50V	C2208			QETN1HM-475	E CAPACITOR	4.7μF,50V
C38			QEKJ0JM-476	E CAPACITOR	47μF,6.3V	C2209			QEKJ1HM-104	E CAPACITOR	0.1μF,50V
C39			NCB21EK-104X	CAPACITOR	0.1μF,25V	C2210			QEKJ1HM-104	E CAPACITOR	0.1μF,50V
C40			QEKJ1EM-106	E CAPACITOR	10μF,25V	C2211			QEKJ1HM-105	E CAPACITOR	1μF,50V
C45			QCFB1HZ-104	CAPACITOR	0.1μF,50V	C2212			QEKJ1HM-105	E CAPACITOR	1μF,50V
C53			NDC21HJ-101X	CAPACITOR	100pF,50V	C2213			QEKJ1EM-106	E CAPACITOR	10μF,25V
C59			NCB21HK-103X	CAPACITOR	0.01μF,50V	C2214			QEKJ1EM-106	E CAPACITOR	10μF,25V
C60			QEKJ0JM-476	E CAPACITOR	47μF,6.3V	C2215			QEKJ1EM-475	E CAPACITOR	4.7μF,25V
C61			NCB21HK-103X	CAPACITOR	0.01μF,50V	C2216			QEKJ1HM-474	E CAPACITOR	0.47μF,50V
C63			NCB21EK-104X	CAPACITOR	0.1μF,25V	C2217			QEKJ1EM-106	E CAPACITOR	10μF,25V
C64			NDC21HJ-220X	CAPACITOR	22pF,50V	C2218			QEKJ1HM-474	E CAPACITOR	0.47μF,50V
C65			QEKJ1HM-105	E CAPACITOR	1μF,50V	C2219			QEKJ1EM-106	E CAPACITOR	10μF,25V
C72			NDC21HJ-470X	CAPACITOR	47pF,50V	C2220			QEKJ1HM-475	E CAPACITOR	4.7μF,50V
C73			NDC21HJ-120X	CAPACITOR	12pF,50V	C2221			NCB21HK-103X	CAPACITOR	0.01μF,50V
C76			NCB21HK-103X	CAPACITOR	0.01μF,50V	C2222			QEKJ1HM-474	E CAPACITOR	0.47μF,50V
C77			NCB21HK-103X	CAPACITOR	0.01μF,50V	C2223			QEKJ1HM-474	E CAPACITOR	0.47μF,50V
C78			NCB21HK-103X	CAPACITOR	0.01μF,50V	C2224			NCB21HK-103X	CAPACITOR	0.01μF,50V
C79			NDC21HJ-390X	CAPACITOR	39pF,50V	C2225			QEKJ1HM-475	E CAPACITOR	4.7μF,50V
C80			NCB21HK-103X	CAPACITOR	0.01μF,50V	C2226			QEKJ1EM-106	E CAPACITOR	10μF,25V
C84			NRSA02J-153X	MG RESISTOR	15kΩ,1/10W	C2227			NCB21CK-104X	CAPACITOR	0.1μF,16V
C93			NDC21HJ-150X	CAPACITOR	15pF,50V	C2228			NCB21CK-104X	CAPACITOR	0.1μF,16V
C94			NRSA02J-0R0X	MG RESISTOR	0Ω,1/10W	C2229			NDC21HJ-101X	CAPACITOR	100pF,50V
C103			NCB21HK-103X	CAPACITOR	0.01μF,50V	C2230			NDC21HJ-101X	CAPACITOR	100pF,50V
C106			NCB21HK-821X	CAPACITOR	820pF,50V	C2251			QEKJ1CM-476	E CAPACITOR	47μF,16V
C107			NBE20JM-226X	T CAPACITOR	22μF,6.3V	C2252			NCB21HK-103X	CAPACITOR	0.01μF,50V
C108			NDC21HJ-680X	CAPACITOR	68pF,50V	C2253			NCB21HK-103X	CAPACITOR	0.01μF,50V
C109			NCB21CK-224X	CAPACITOR	0.22μF,16V	C2254			NCB21HK-103X	CAPACITOR	0.01μF,50V
C110			NDC21HJ-820X	CAPACITOR	82pF,50V	C2255			NDC21HJ-181X	CAPACITOR	180pF,50V
C114			NDC21HJ-181X	CAPACITOR	180pF,50V	C3001			NCB21EK-104X	CAPACITOR	0.1μF,25V
C401			NCB21EK-103X	CAPACITOR	0.01μF,25V	C3002			NCB21HK-103X	CAPACITOR	0.01μF,50V
C402			NCB21HK-223X	CAPACITOR	0.022μF,50V	C3003			QEKJ1CM-106	E CAPACITOR	10μF,16V
C403			NDC21HJ-121X	CAPACITOR	120pF,50V	C3004			NCB21EK-104X	CAPACITOR	0.1μF,25V
C404			NDC21HJ-470X	CAPACITOR	47pF,50V	C3008			NCB21HK-102X	CAPACITOR	0.001μF,50V
C406			NCB21HK-102X	CAPACITOR	0.001μF,50V	C3011			QETL0JM-478	E CAPACITOR	4700μF,6.3V
C407			NDC21HJ-150X	CAPACITOR	15pF,50V	C3012			QEKJ0JM-107	E CAPACITOR	100μF,6.3V
C2001			QETN1HM-475	E CAPACITOR	4.7μF,50V	C3015			NCB21EK-104X	CAPACITOR	0.1μF,25V
C2002			QEKJ1EM-106	E CAPACITOR	10μF,25V	C3016			NCB21EK-104X	CAPACITOR	0.1μF,25V
C2003			QEKJ0JM-476	E CAPACITOR	47μF,6.3V	C3022			NCB21EK-104X	CAPACITOR	0.1μF,25V
C2004			NCB21HK-103X	CAPACITOR	0.01μF,50V	C3024			NDC21HJ-120X	CAPACITOR	12pF,50V
C2005			QEKJ1HM-475	E CAPACITOR	4.7μF,50V	C3026			NCB21HK-103X	CAPACITOR	0.01μF,50V
C2006			NCB21HK-123X	CAPACITOR	0.012μF,50V	C3027			NBE20JM-106X	T CAPACITOR	10μF,6.3V
C2007			QEKJ1CM-226	E CAPACITOR	22μF,16V	C3030			NBE20JM-226X	T CAPACITOR	22μF,6.3V
C2008			QEKJ1EM-475	E CAPACITOR	4.7μF,25V	C3031			NCB21EK-104X	CAPACITOR	0.1μF,25V
C2009			NCB21HK-102X	CAPACITOR	0.001μF,50V	C3032			NCB21EK-104X	CAPACITOR	0.1μF,25V
C2010			NCB21HK-152X	CAPACITOR	0.0015μF,50V	C3033			NCB21EK-104X	CAPACITOR	0.1μF,25V
C2011			QEKJ1EM-475	E CAPACITOR	4.7μF,25V	C3036			NDC21HJ-180X	CAPACITOR	18pF,50V
C2012			QEKJ1EM-475	E CAPACITOR	4.7μF,25V	C3037			NDC21HJ-120X	CAPACITOR	12pF,50V

#	△ REF No.	PART No.	PART NAME, DESCRIPTION	#	△ REF No.	PART No.	PART NAME, DESCRIPTION		
		C3040	QCFB1HZ-104	CAPACITOR	0.1μF,50V	L14	QQL071J-101Y	COIL	100μH
		C3041	NDC21HJ-100X	CAPACITOR	10pF,50V	L15	QQL29BJ-100Z	COIL	10μH
		C3050	NCB21EK-104X	CAPACITOR	0.1μF,25V	L17	QQL071J-100Y	COIL	10μH
		C3602	NCB21EK-104X	CAPACITOR	0.1μF,25V	L18	QQL071J-220Y	COIL	22μH
		C3652	NCB21EK-104X	CAPACITOR	0.1μF,25V	L19	QQL071J-120Y	COIL	12μH
		C4002	NCB21EK-104X	CAPACITOR	0.1μF,25V	L20	QUY153-050Y	IM BUS WIRE	
		C4003	NCB21HK-102X	CAPACITOR	0.001μF,50V	L24	QQL071J-270Y	COIL	27μH
		C4004	NBE20JM-226X	T CAPACITOR	22μF,6.3V	L25	QQL29BJ-100Z	COIL	10μH
		C4006	NBE40JM-476X	T CAPACITOR	47μF,6.3V	L27	QQL071J-330Y	COIL	33μH
		C4007	NCB21HK-102X	CAPACITOR	0.001μF,50V	L28	QQL071J-680Y	COIL	68μH
		C4008	NCB21AK-105X	CAPACITOR	1μF,10V	L401	QQL071J-150Y	COIL	15μH
		C4009	NCB21HK-563X	CAPACITOR	0.056μF,50V	L402	QUY153-050Y	IM BUS WIRE	
		C4010	NCB21EK-223X	CAPACITOR	0.022μF,25V	L2001	QUY153-050Y	IM BUS WIRE	
		C4011	NCB21EK-104X	CAPACITOR	0.1μF,25V	L2251	QQL29BJ-100Z	COIL	10μH
		C4012	NCB21EK-224X	CAPACITOR	0.22μF,25V	L2252	QQL29BJ-151Z	COIL	15μH
		C4013	NCB21HK-563X	CAPACITOR	0.056μF,50V	L3001	QUY153-050Y	IM BUS WIRE	
		C4014	NDC21HJ-101X	CAPACITOR	100pF,50V	L5201	PELN1184	COIL	33μH
		C4015	NDC21HJ-331X	CAPACITOR	330pF,50V	L5202	PU60944-330K	COIL	33μH
		C4016	NDC21HJ-681X	CAPACITOR	680pF,50V	L6001	QQL29BJ-100Z	COIL	10μH
		C4017	NCB21HK-222X	CAPACITOR	0.0022μF,50V	L6002	QQL29BJ-100Z	COIL	10μH
△		C5001	QFZ9073-683	F CAPACITOR	0.068μF,250V	L6005	QQL29BJ-100Z	COIL	10μH
△		C5002	QFZ9051-333	F CAPACITOR	0.033μF,250V	L6032	QUY153-050Y	IM BUS WIRE	
△		C5004	QCZ9071-222	CAPACITOR	0.0022μF,250V	L6501	QQL29BJ-3R3Z	COIL	3.3μH
		C5006	QEZ0375-686	E CAPACITOR	68μF,400V	L7201	QQL01BJ-101Z	COIL	100μH
		C5101	QCZ0212-472	CAPACITOR	0.0047μF,1kV	X1	QAX0576-001	CRYSTAL RESONATOR	
		C5102	QEMU1VM-276	E CAPACITOR	27μF,35V	X2	QCB11HK-103	CAPACITOR	0.01μF,50V
		C5103	QCZ0302-330Z	CAPACITOR	33pF,1kV	X3001	QAX0444-001	CRYSTAL RESONATOR	
		C5104	QFLC1HJ-471Z	F CAPACITOR	470pF,50V	X3002	QAX0527-001	CRYSTAL RESONATOR	
		C5107	QCZ0353-101Z	CAPACITOR	100pF,1kV	S3002	QSW0695-001	PUSH SWITCH,S CASS SW	
		C5201	QEMU0JM-227	E CAPACITOR	220μF,6.3V	K2001	NQL103K-R10X	COIL	0.1μH
		C5202	QEMT1CM-827	E CAPACITOR	820μF,16V	K2002	NQL103K-R10X	COIL	0.1μH
		C5203	QEMT1AM-228	E CAPACITOR	2200μF,10V	K2003	NQL103K-R10X	COIL	0.1μH
		C5204	QETN2AM-475	E CAPACITOR	4.7μF,100V	K2004	NQL103K-R10X	COIL	0.1μH
		C5205	QETN1HM-106	E CAPACITOR	10μF,50V	K2251	NRSA02J-0R0X	MG RESISTOR	0Ω,1/10W
		C5206	QEMU1EM-187	E CAPACITOR	180μF,25V	K2252	NRSA02J-0R0X	MG RESISTOR	0Ω,1/10W
		C5207	QETN1CM-227	E CAPACITOR	220μF,16V	K2253	NRSA02J-0R0X	MG RESISTOR	0Ω,1/10W
		C5208	QETN1AM-227	E CAPACITOR	220μF,10V	K5101	QQR0678-001Z	FERRITE BEAD	
		C5212	QEMU1VM-127	E CAPACITOR	120μF,35V	K5102	QQR0678-001Z	FERRITE BEAD	
		C5213	QEMU0JM-227	E CAPACITOR	220μF,6.3V	K5201	QQR0678-001Z	FERRITE BEADS	
		C5301	QETM0JM-108	E CAPACITOR	1000μF,6.3V	PC3001	GP3S123	IC(PHOTO SENSOR)	
		C5303	QETN1CM-107	E CAPACITOR	100μF,16V	PC3002	GP3S123	IC(PHOTO SENSOR)	
		C5304	QFVF1HJ-274Z	F CAPACITOR	0.27μF,50V	△ PC5101	PC123F2	PH COUPLER	
		C5305	NCB21HK-103X	CAPACITOR	0.01μF,50V	T2052	PELN0861	OSC TRANSFORMER	
		C5306	QEKJ0JM-107	E CAPACITOR	100μF,6.3V	△ T5001	QQS0057-001	SW TRANSFORMER	
		C5307	QEKJ0JM-476	E CAPACITOR	47μF,6.3V	TU6001	QAU0210-001	TUNER	
		C5308	QETN1CM-107	E CAPACITOR	100μF,16V	ET1	PQ21623-1-5	EARTH PLATE(RF)	
		C5309	QETN1CM-107	E CAPACITOR	100μF,16V	HS1	LP40621-001A	HEAT SINK,IC5101	
		C6014	NCB21HK-103X	CAPACITOR	0.01μF,50V	HS2	LP40479-001B	HEAT SINK,IC5301	
		C6023	NRSA02J-0R0X	MG RESISTOR	0Ω,1/10W	SD1	LP30720-001A	SHIELD CASE(PRE/REC)	
		C6033	NRSA02J-0R0X	MG RESISTOR	0Ω,1/10W	OT1	QYTDSTF3010Z	SCREW,X2 TERMINAL	
		C6037	NBE20JM-106X	T CAPACITOR	10μF,6.3V	OT2	PU59915-105	#500SPACER0.01, C45	
		C6553	QEKJ0JM-337	E CAPACITOR	330μF,6.3V	OT3	QYTDST3008Z	SCREW,IC5101	
		C7202	QETJ0JM-477	E CAPACITOR	470μF,6.3V	OT4	QYTDST3006Z	SCREW,IC5301	
		C7251	NRSA02J-0R0X	MG RESISTOR	0Ω,1/10W	FC5001	QNG0006-001Z	FUSE CLIP,F5001	
		L1	QQL29BJ-100Z	COIL	10μH	FC5002	QNG0006-001Z	FUSE CLIP,F5001	
		L2	QQL071J-121Y	COIL	120μH	△ LF5001	PELN1204-01-01	LINE FILTER	
		L3	QQL29BJ-100Z	COIL	10μH	△ LF5002	QQR0608-001	LINE FILTER	
		L4	QQL29BJ-100Z	COIL	10μH	CN1	QGF1028C1-13	FPC CONNECTOR,(1-13)U.DRUM	
		L5	QQR0521-012Z	NOISE FILTER		CN902	QGF1207C1-11	FPC CONNECTOR,(1-11)FRONT S IN	
		L12	QQR0967-001	COIL	12μH	CN903	QGB2024K1-12S	CONNECTOR,(1-12)TERMINAL	
		L13	QQL071J-330Y	COIL	33μH	CN904	QGB2024K1-12S	CONNECTOR,(1-12)TERMINAL	

#	△	REF No.	PART No.	PART NAME, DESCRIPTION	#	△	REF No.	PART No.	PART NAME, DESCRIPTION		
			CN905	QGB2024K1-05S	CONNECTOR,(1-5)TERMINAL			R1402	NRSA02J-101X	MG RESISTOR	100Ω,1/10W
			CN907	QGB2024K1-10S	CONNECTOR,(1-10)TERMINAL			R1404	NRSA02J-182X	MG RESISTOR	1.8kΩ,1/10W
			CN2001	QGF1207C1-07	FPC CONNECTOR,(1-7)A/C HEAD			R1406	NRSA02J-471X	MG RESISTOR	470Ω,1/10W
			CN2002	QGB2532J1-02	CONNECTOR,(1-2)FE HEAD			R1407	NRSA02J-272X	MG RESISTOR	2.7kΩ,1/10W
			CN2051	QGB2024K1-04S	CONNECTOR,(1-4)AUDIO ERASE			R1408	NRSA02J-122X	MG RESISTOR	1.2kΩ,1/10W
			CN3001	QGF1207C1-05	FPC CONNECTOR,(1-5)DRUM			R1410	NRSA02J-391X	MG RESISTOR	390Ω,1/10W
			CN3002	QGB2532J1-02	CONNECTOR,(1-2)LOADING MOTOR			R1411	NRSA02J-152X	MG RESISTOR	1.5kΩ,1/10W
			CN3003	QGB2015M2-08	CONNECTOR,(1-8)CAPSTAN MOTOR			R1413	NRSA02J-331X	MG RESISTOR	330Ω,1/10W
			CN3004	QGB2534J2-04	CONNECTOR,(1-4)ROTARY ENCODER			R1414	NRSA02J-821X	MG RESISTOR	820Ω,1/10W
			CN3011	QGF1207C1-14	FPC CONNECTOR,(1-14)FRONT			R1415	NRSA02J-221X	MG RESISTOR	220Ω,1/10W
			CN3012	QGF1207C1-04	FPC CONNECTOR,(1-4)ADV.JOG			R1416	NRSA02J-104X	MG RESISTOR	100kΩ,1/10W
	△		CN5001	QGA7901C3-02	CONNECTOR,(1-2)AC IN			R1417	NRSA02J-101X	MG RESISTOR	100Ω,1/10W
			CN6102	QGF1207C1-10	FPC CONNECTOR,(1-10)P/S CONVERTER			R1418	NRSA02J-471X	MG RESISTOR	470Ω,1/10W
	△		CP4001	ICP-N25	CIRCUIT PROTECTOR			R1421	NRSA02J-391X	MG RESISTOR	390Ω,1/10W
	△		CP5301	ICP-N38	CIRCUIT PROTECTOR			R1426	NRSA02J-561X	MG RESISTOR	560Ω,1/10W
	△		CP5302	ICP-N25	CIRCUIT PROTECTOR			R1427	NRSA02J-333X	MG RESISTOR	33kΩ,1/10W
			CP5303	QUY153-050Y	IM BUS WIRE			R1428	NRSA02J-393X	MG RESISTOR	39kΩ,1/10W
	△		F5001	QMF51E2-2R0J1	FUSE			R1429	NRSA02J-152X	MG RESISTOR	1.5kΩ,1/10W
											T2.0A,AC250V

3D DIGITAL/2M BOARD ASSEMBLY <05>

			PW1	LPA10105-05A	3D DIGITAL/2M BOARD ASSY			R1430	NRSA02J-222X	MG RESISTOR	2.2kΩ,1/10W
			IC1401	JCP8026	IC			R1431	NRSA02J-821X	MG RESISTOR	820Ω,1/10W
	△		Q1401	2SC1317/RS/-T	TRANSISTOR			R1432	NRSA02J-182X	MG RESISTOR	1.8kΩ,1/10W
			Q1402	2SA1576A/QR/-X	TRANSISTOR			R1433	NRSA02J-510X	MG RESISTOR	51Ω,1/10W
				or 2PA1576/R/-X	TRANSISTOR			R1434	NRSA02J-153X	MG RESISTOR	15kΩ,1/10W
			Q1403	2SA1576A/QR/-X	TRANSISTOR			R1435	NRSA02J-223X	MG RESISTOR	22kΩ,1/10W
				or 2PA1576/R/-X	TRANSISTOR			R1436	NRSA02J-682X	MG RESISTOR	6.8kΩ,1/10W
			Q1404	DTC144WU	TRANSISTOR			R1437	NRSA02J-392X	MG RESISTOR	3.9kΩ,1/10W
				or RN1309	TRANSISTOR			R1438	NRSA02J-473X	MG RESISTOR	47kΩ,1/10W
				or UN521E	TRANSISTOR			R1439	NRSA02J-273X	MG RESISTOR	27kΩ,1/10W
			Q1406	2SA1576A/QR/-X	TRANSISTOR			R1440	NRSA02J-473X	MG RESISTOR	47kΩ,1/10W
				or 2PA1576/R/-X	TRANSISTOR			R1441	NRSA02J-682X	MG RESISTOR	6.8kΩ,1/10W
			Q1407	2SA1576A/QR/-X	TRANSISTOR			R1442	NRSA02J-682X	MG RESISTOR	6.8kΩ,1/10W
				or 2PA1576/R/-X	TRANSISTOR			R1444	NRSA02J-102X	MG RESISTOR	1kΩ,1/10W
			Q1408	2SC4081/S/-X	TRANSISTOR			R1446	NRSA02J-102X	MG RESISTOR	1kΩ,1/10W
			Q1410	2SC4081/QRS/-X	TRANSISTOR			R1447	NRSA02J-102X	MG RESISTOR	1kΩ,1/10W
				or 2PC4081/R/-X	TRANSISTOR			R1448	NRSA02J-102X	MG RESISTOR	1kΩ,1/10W
			Q1412	2SC4081/QRS/-X	TRANSISTOR			R1449	NRSA02J-102X	MG RESISTOR	1kΩ,1/10W
				or 2PC4081/R/-X	TRANSISTOR			R1450	NRSA02J-102X	MG RESISTOR	1kΩ,1/10W
			Q1413	2SA1576A/QR/-X	TRANSISTOR			R1452	NRSA02J-471X	MG RESISTOR	470Ω,1/10W
				or 2PA1576/R/-X	TRANSISTOR			R1453	NRSA02J-102X	MG RESISTOR	1kΩ,1/10W
			Q1414	DTC144WU	TRANSISTOR			R1454	NRSA02J-102X	MG RESISTOR	1kΩ,1/10W
				or RN1309	TRANSISTOR			R1455	NRSA02J-681X	MG RESISTOR	680Ω,1/10W
				or UN521E	TRANSISTOR			R1458	NRSA02J-681X	MG RESISTOR	680Ω,1/10W
			Q1417	2SC4081/QRS/-X	TRANSISTOR			R1459	NRSA02J-681X	MG RESISTOR	680Ω,1/10W
				or 2PC4081/R/-X	TRANSISTOR			R1460	NRSA02J-273X	MG RESISTOR	27kΩ,1/10W
			Q1418	2SA1576A/QR/-X	TRANSISTOR			R1461	NRSA02J-121X	MG RESISTOR	120Ω,1/10W
				or 2PA1576/R/-X	TRANSISTOR			R1463	NRSA02J-101X	MG RESISTOR	100Ω,1/10W
			Q1419	DTC124TU	TRANSISTOR			VR1401	QVZ3521-103Z	V RESISTOR, D/A LEVEL ADJ.	
			Q1420	2SC4081/QRS/-X	TRANSISTOR			B1412	NRSA02J-0R0X	MG RESISTOR	0Ω,1/10W
				or 2PC4081/R/-X	TRANSISTOR			C1401	QEKJ1CM-336	E CAPACITOR	33μF,16V
			D1401	RD4.3ES/B3/-T2	ZENER DIODE			C1402	NCB21HK-103X	CAPACITOR	0.01μF,50V
			D1402	1SS133	DIODE			C1403	QEKJ0JM-337	E CAPACITOR	330μF,6.3V
				or 1N4148M	DIODE			C1404	NCF21EZ-104X	CAPACITOR	0.1μF,25V
			R1401	NRSA02J-181X	MG RESISTOR			C1405	NCF21EZ-104X	CAPACITOR	0.1μF,25V
								C1406	NCB21HK-103X	CAPACITOR	0.01μF,50V
								C1407	NDC21HJ-680X	CAPACITOR	68pF,50V
								C1408	NDC21HJ-330X	CAPACITOR	33pF,50V
								C1410	QEKJ1EM-475	E CAPACITOR	4.7μF,25V
								C1411	NCF21EZ-104X	CAPACITOR	0.1μF,25V
								C1412	NDC21HJ-680X	CAPACITOR	68pF,50V
								C1413	NDC21HJ-330X	CAPACITOR	33pF,50V
								C1415	NCF21EZ-104X	CAPACITOR	0.1μF,25V
								C1416	QEKJ1CM-106	E CAPACITOR	10μF,16V

#	△ REF No.	PART No.	PART NAME, DESCRIPTION
C1417		NCF21EZ-104X	CAPACITOR 0.1μF,25V
C1421		NDC21HJ-330X	CAPACITOR 33pF,50V
C1422		NDC21HJ-680X	CAPACITOR 68pF,50V
C1423		NCF21EZ-104X	CAPACITOR 0.1μF,25V
C1424		NCB21HK-103X	CAPACITOR 0.01μF,50V
C1425		NCB21HK-103X	CAPACITOR 0.01μF,50V
C1426		NDC21HJ-390X	CAPACITOR 39pF,50V
C1428		NDC21HJ-220X	CAPACITOR 22pF,50V
C1429		QEKJ0JM-337	E CAPACITOR 330μF,6.3V
C1430		NCF21EZ-104X	CAPACITOR 0.1μF,25V
C1432		NCF21CZ-105X	CAPACITOR 1μF,16V
C1433		NCF21EZ-104X	CAPACITOR 0.1μF,25V
C1435		NCF21EZ-104X	CAPACITOR 0.1μF,25V
C1436		NCF21EZ-104X	CAPACITOR 0.1μF,25V
C1437		NCF21EZ-104X	CAPACITOR 0.1μF,25V
C1438		NCF21EZ-104X	CAPACITOR 0.1μF,25V
C1439		NCF21CZ-105X	CAPACITOR 1μF,16V
C1440		NCF21EZ-104X	CAPACITOR 0.1μF,25V
C1441		NCF21EZ-104X	CAPACITOR 0.1μF,25V
C1442		NCF21CZ-105X	CAPACITOR 1μF,16V
C1444		NCF21EZ-104X	CAPACITOR 0.1μF,25V
C1445		NCF21EZ-104X	CAPACITOR 0.1μF,25V
C1446		QEKJ0JM-476	E CAPACITOR 47μF,6.3V
C1447		NCF21EZ-104X	CAPACITOR 0.1μF,25V
C1448		QEKJ0JM-476	E CAPACITOR 47μF,6.3V
C1449		NCF21EZ-104X	CAPACITOR 0.1μF,25V
C1450		NCF21EZ-104X	CAPACITOR 0.1μF,25V
C1451		QEKJ1EM-475	E CAPACITOR 4.7μF,25V
C1452		NCF21EZ-104X	CAPACITOR 0.1μF,25V
C1453		NCF21EZ-104X	CAPACITOR 0.1μF,25V
C1454		NCF21EZ-104X	CAPACITOR 0.1μF,25V
C1455		NCF21EZ-104X	CAPACITOR 0.1μF,25V
C1463		QEKJ0JM-336	E CAPACITOR 33μF,6.3V
C1468		NDC21HJ-101X	CAPACITOR 100pF,50V
C1470		NDC21HJ-330X	CAPACITOR 33pF,50V
C1471		NCF21EZ-104X	CAPACITOR 0.1μF,25V
C1472		NCF21EZ-104X	CAPACITOR 0.1μF,25V
C1473		NCF21EZ-104X	CAPACITOR 0.1μF,25V
L1401		QQL29BJ-100Z	COIL 10μH
L1402		QQL071J-6R8Y	COIL 6.8μH
L1403		QQL071J-6R8Y	COIL 6.8μH
L1404		QQL071J-6R8Y	COIL 6.8μH
L1405		QQL01BJ-101Z	COIL 100μH
L1406		QQL071J-330Y	COIL 33μH
L1407		QQL01BJ-101Z	COIL 100μH
L1409		QQL071J-1R0Y	COIL 1.0μH
LC1401		QQR0521-007Z	NOISE FILTER
LC1402		QQR0521-006Z	NOISE FILTER
SD1		LP30706-001C	SHIELD FRAME(S-VHS)
SD2		LP30684-001A	SHIELD CASE(S-VHS)
CN1401		QGG2502K1-17	HEADER PIN, (1-17)MAIN

#	△ REF No.	PART No.	PART NAME, DESCRIPTION
Q207		2SB1218A/QR/-X	TRANSISTOR
		or 2SA1576A/QR/-X	TRANSISTOR
		or 2PA1576/R/-X	TRANSISTOR
Q901		UN5211	TRANSISTOR
		or RN1302	TRANSISTOR
		or PDTC114EU	TRANSISTOR
		or DTC114EU	TRANSISTOR
Q902		2SB1218A/QR/-X	TRANSISTOR
		or 2PA1576/R/-X	TRANSISTOR
		or 2SA1576A/QR/-X	TRANSISTOR
Q903		2SB1218A/QR/-X	TRANSISTOR
		or 2SA1576A/QR/-X	TRANSISTOR
		or 2PA1576/R/-X	TRANSISTOR
Q904		2SB1218A/QR/-X	TRANSISTOR
		or 2PA1576/R/-X	TRANSISTOR
		or 2SA1576A/QR/-X	TRANSISTOR
Q905		2SD1819A/QRS/-X	TRANSISTOR
		or 2SC4081/QRS/-X	TRANSISTOR
		or 2PC4081/R/-X	TRANSISTOR
Q906		2SD1819A/QRS/-X	TRANSISTOR
		or 2SC4081/QRS/-X	TRANSISTOR
		or 2PC4081/R/-X	TRANSISTOR
Q907		2SD1819A/QRS/-X	TRANSISTOR
		or 2SC4081/QRS/-X	TRANSISTOR
		or 2PC4081/R/-X	TRANSISTOR
Q908		2SB1218A/QR/-X	TRANSISTOR
		or 2PA1576/R/-X	TRANSISTOR
		or 2SA1576A/QR/-X	TRANSISTOR
Q909		2SB1218A/QR/-X	TRANSISTOR
		or 2SA1576A/QR/-X	TRANSISTOR
		or 2PA1576/R/-X	TRANSISTOR
Q911		UN521E	TRANSISTOR
		or RN1309	TRANSISTOR
		or DTC144WU	TRANSISTOR
		or PDTC144WU	TRANSISTOR
Q912		UN5215	TRANSISTOR
		or RN1311	TRANSISTOR
		or DTC114TU	TRANSISTOR
		or PDTC114TU	TRANSISTOR
D201		QRE141J-152Y	RESISTOR 1.5kΩ,1/4W
D205		1SS133	DIODE
R202		NRSA02J-103X	MG RESISTOR 10kΩ,1/10W
R208		NRSA02J-222X	MG RESISTOR 2.2kΩ,1/10W
R209		NRSA02J-512X	MG RESISTOR 5.1kΩ,1/10W
R210		NRSA02J-182X	MG RESISTOR 1.8kΩ,1/10W
R211		NRSA02J-562X	MG RESISTOR 5.6kΩ,1/10W
R212		NRSA02J-101X	MG RESISTOR 100Ω,1/10W
R213		NRSA02J-0R0X	MG RESISTOR 0Ω,1/10W
R214		NRSA02J-103X	MG RESISTOR 10kΩ,1/10W
R216		NRSA02J-103X	MG RESISTOR 10kΩ,1/10W
R218		NRSA02J-331X	MG RESISTOR 330Ω,1/10W
R901		NRSA02J-750X	MG RESISTOR 75Ω,1/10W
R902		NRSA02J-750X	MG RESISTOR 75Ω,1/10W
R903		NRSA02J-680X	MG RESISTOR 68Ω,1/10W
R904		NRSA02J-101X	MG RESISTOR 100Ω,1/10W
R905		NRSA02J-101X	MG RESISTOR 100Ω,1/10W
R906		NQL402M-100X	COIL 10μH
R907		NQL402M-100X	COIL 10μH
R908		NRSA02J-0R0X	MG RESISTOR 0Ω,1/10W
R909		NRSA02J-750X	MG RESISTOR 75Ω,1/10W
R910		NRSA02J-750X	MG RESISTOR 75Ω,1/10W

TERMINAL BOARD ASSEMBLY <06>

PW1	LPA10100-23A	TERMINAL BOARD ASSY
IC201	LC74775-9750	IC
IC901	BH7636S	IC

#	△	REF No.	PART No.	PART NAME, DESCRIPTION		#	△	REF No.	PART No.	PART NAME, DESCRIPTION	
R911			NRSA02J-750X	MG RESISTOR	75Ω,1/10W	C906			NCB21HK-331X	CAPACITOR	330pF,50V
R912			NRSA02J-101X	MG RESISTOR	100Ω,1/10W	C907			NCB21HK-471X	CAPACITOR	470pF,50V
R913			NRSA02J-101X	MG RESISTOR	100Ω,1/10W	C908			NCB21HK-471X	CAPACITOR	470pF,50V
R914			NQL402M-100X	COIL	10μH	C910			NCB21HK-102X	CAPACITOR	0.001μF,50V
R915			NQL402M-100X	COIL	10μH	C912			NCB21HK-102X	CAPACITOR	0.001μF,50V
R916			NRSA02J-102X	MG RESISTOR	1kΩ,1/10W	C913			NCB21HK-103X	CAPACITOR	0.01μF,50V
R917			NRSA02J-0R0X	MG RESISTOR	0Ω,1/10W	C914			NCB21HK-103X	CAPACITOR	0.01μF,50V
R918			NRSA02J-0R0X	MG RESISTOR	0Ω,1/10W	C915			NCB21HK-103X	CAPACITOR	0.01μF,50V
R919			NRSA02J-101X	MG RESISTOR	100Ω,1/10W	C916			NCB21HK-223X	CAPACITOR	0.022μF,50V
R920			NRSA02J-0R0X	MG RESISTOR	0Ω,1/10W	C917			NCB21HK-223X	CAPACITOR	0.022μF,50V
R921			QRE123J-391X	RESISTOR	390Ω,1/2W	C918			NCB21HK-223X	CAPACITOR	0.022μF,50V
R922			QRE123J-391X	RESISTOR	390Ω,1/2W	C921			NDC21HJ-330X	CAPACITOR	33pF,50V
R923			NRSA02J-750X	MG RESISTOR	75Ω,1/10W	C923			QEKJ1CM-476	E CAPACITOR	47μF,16V
R924			NRSA02J-750X	MG RESISTOR	75Ω,1/10W	C924			NCB21HK-103X	CAPACITOR	0.01μF,50V
R931			NRSA02J-101X	MG RESISTOR	100Ω,1/10W	C925			NCB21HK-223X	CAPACITOR	0.022μF,50V
R932			NRSA02J-511X	MG RESISTOR	510Ω,1/10W	C927			QEKJ1CM-476	E CAPACITOR	47μF,16V
R933			NRSA02J-471X	MG RESISTOR	470Ω,1/10W	C930			NCB21HK-103X	CAPACITOR	0.01μF,50V
R934			NRSA02J-101X	MG RESISTOR	100Ω,1/10W	C931			QEKJ1CM-476	E CAPACITOR	47μF,16V
R935			QRE141J-101Y	RESISTOR	100Ω,1/4W	C933			NCB21HK-331X	CAPACITOR	330pF,50V
R936			NRSA02J-101X	MG RESISTOR	100Ω,1/10W	C934			NCB21HK-331X	CAPACITOR	330pF,50V
R937			QRE141J-101Y	RESISTOR	100Ω,1/4W	C935			NCB21HK-471X	CAPACITOR	470pF,50V
R938			QRE141J-101Y	RESISTOR	100Ω,1/4W	C936			NCB21HK-471X	CAPACITOR	470pF,50V
R939			QRE141J-101Y	RESISTOR	100Ω,1/4W	C937			NCB21HK-331X	CAPACITOR	330pF,50V
R940			NRSA02J-103X	MG RESISTOR	10kΩ,1/10W	C938			NCB21HK-331X	CAPACITOR	330pF,50V
R941			NRSA02J-332X	MG RESISTOR	3.3kΩ,1/10W	C939			NCB21HK-471X	CAPACITOR	470pF,50V
R942			NRSA02J-472X	MG RESISTOR	4.7kΩ,1/10W	C940			NCB21HK-471X	CAPACITOR	470pF,50V
R943			NRSA02J-0R0X	MG RESISTOR	0Ω,1/10W	C941			QETJ0JM-477	E CAPACITOR	470μF,6.3V
R944			NRSA02J-272X	MG RESISTOR	2.7kΩ,1/10W	C942			QEKJ1CM-476	E CAPACITOR	47μF,16V
R945			NRSA02J-102X	MG RESISTOR	1kΩ,1/10W	C943			QEKJ1CM-476	E CAPACITOR	47μF,16V
R946			NRSA02J-561X	MG RESISTOR	560Ω,1/10W	C945			QEKJ1CM-106	E CAPACITOR	10μF,16V
R947			NRSA02J-682X	MG RESISTOR	6.8kΩ,1/10W	C946			QEKJ1CM-106	E CAPACITOR	10μF,16V
R949			QRE123J-331X	RESISTOR	330Ω,1/2W	C947			QETJ0JM-477	E CAPACITOR	470μF,6.3V
R951			NRSA02J-332X	MG RESISTOR	3.3kΩ,1/10W	C951			QEK1CM-476	E CAPACITOR	47μF,16V
R952			NRSA02J-562X	MG RESISTOR	5.6kΩ,1/10W	L201			QQL29BK-1R0Z	COIL	1.0μH
R953			NRSA02J-562X	MG RESISTOR	5.6kΩ,1/10W	L202			QQL071J-330Y	COIL	33μH
R964			NRSA02J-101X	MG RESISTOR	100Ω,1/10W	L203			QQL071J-220Y	COIL	22μH
R965			NRSA02J-101X	MG RESISTOR	100Ω,1/10W	L204			QQL29BJ-100Z	COIL	10μH
B201			NRSA02J-0R0X	MG RESISTOR	0Ω,1/10W	L205			QUY153-050Y	IM BUS WIRE	
B216			NRSA02J-0R0X	MG RESISTOR	0Ω,1/10W	L206			QQL071J-220Y	COIL	22μH
B901			QUY153-050Y	IM BUS WIRE		L901			QQL231J-R22Y	COIL	0.22μH
C201			QEKJ0JM-227	E CAPACITOR	220μF,6.3V	L902			QQL071J-1R0Y	COIL	1.0μH
C204			NDC21HJ-100X	CAPACITOR	10pF,50V	L903			QQL071J-150Y	COIL	15μH
C206			NDC21HJ-330X	CAPACITOR	33pF,50V	L904			QQL071J-150Y	COIL	15μH
C207			NDC21HJ-330X	CAPACITOR	33pF,50V	L905			QUY153-050Y	IM BUS WIRE	
C209			NCB21CK-474X	CAPACITOR	0.47μF,16V	L906			QUY153-050Y	IM BUS WIRE	
C210			NDC21HJ-101X	CAPACITOR	100pF,50V	L907			QUY153-050Y	IM BUS WIRE	
C211			NDC21HJ-101X	CAPACITOR	100pF,50V	L910			QQL071J-1R0Y	COIL	1.0μH
C212			NCB21EK-104X	CAPACITOR	0.1μF,25V	L913			QQL071J-4R7Y	COIL	4.7μH
C213			QEKJ1EM-475	E CAPACITOR	4.7μF,25V	L914			QQL071J-4R7Y	COIL	4.7μH
C214			NCB21CK-224X	CAPACITOR	0.22μF,16V	L915			QQL071J-4R7Y	COIL	4.7μH
C215			NCB21CK-224X	CAPACITOR	0.22μF,16V	L916			QQL071J-4R7Y	COIL	4.7μH
C216			QEKJ0JM-227	E CAPACITOR	220μF,6.3V	L917			QQL071J-4R7Y	COIL	4.7μH
C217			NDC21HJ-560X	CAPACITOR	56pF,50V	L918			QQL071J-4R7Y	COIL	4.7μH
C218			NCB21AK-105X	CAPACITOR	1μF,10V	L919			QQL071J-4R7Y	COIL	4.7μH
C222			NCB21AK-105X	CAPACITOR	1μF,10V	L920			QQL071J-4R7Y	COIL	4.7μH
C225			NCB21EK-104X	CAPACITOR	0.1μF,25V	ET1			PQ21987-1-1	EARTH PLATE(TERM.)	
C901			NCB21HK-331X	CAPACITOR	330pF,50V	J901			PEMC1177	RGB21PIN SOCKET,AV1	
C902			NCB21HK-331X	CAPACITOR	330pF,50V	J902			PEMC1177	RGB21PIN SOCKET,AV2	
C903			NCB21HK-471X	CAPACITOR	470pF,50V	J903			QND0084-001	S JACK,S OUT	
C904			NCB21HK-471X	CAPACITOR	470pF,50V	J912			QNN0023-003	PIN JACK,A.OUT(L)	
C905			NCB21HK-331X	CAPACITOR	330pF,50V	J913			QNN0023-002	PIN JACK,A.OUT(R)	

#	△ REF No.	PART No.	PART NAME, DESCRIPTION
J923		PEMC1190	MINI JACK, JLIP
J924		QNS0150-001	2.5 JACK, LANC
J925		PU60659	MINI JACK, SAT.CTL
J926		PU60659	MINI JACK, R.PAUSE
△ TB1		LP30712-008B	TERMINAL BOARD ASSY
OT1		QYTDSF3008Z	SCREW, X8
WR901		QUB320-07ZAZA	SIN TWIST WIRE
W914		NRSA02J-0R0X	MG RESISTOR 0Ω, 1/10W
CN911		QGF1208F1-14	FPC CONNECTOR, (1-14)S-SUB
CN912		QGF1208F1-08	FPC CONNECTOR, (1-8)NAVIGATION
CN913		QGB2024J1-12S	CONNECTOR, (1-12)MAIN
CN914		QGB2024J1-12S	CONNECTOR, (1-12)MAIN
CN915		QGB2024J1-05S	CONNECTOR, (1-5)MAIN
CN917		QGB2024J1-10S	CONNECTOR, (1-10)MAIN

A/C HEAD BOARD ASSEMBLY <12>

PW1	LPA10010-01A1	A/C HEAD BOARD ASSY
CN1	QGF1208F1-07	FPC CONNECTOR, (1-7)MAIN

DEMOD BOARD ASSEMBLY <14>

PW1	LPA10094-05A	DEMOD BOARD ASSY
IC6701	MSP3417D	IC
	or MSP3417DG3	IC
	or MSP3417G	IC
Q6701	2SC3936/BC/-X	TRANSISTOR
D6701	1SS133	DIODE
	or 1N4148M	DIODE
R6701	NRSA02J-392X	MG RESISTOR 3.9kΩ, 1/10W
R6702	NRSA02J-682X	MG RESISTOR 6.8kΩ, 1/10W
R6703	NRSA02J-0R0X	MG RESISTOR 0Ω, 1/10W
R6704	NRSA02J-102X	MG RESISTOR 1kΩ, 1/10W
R6705	NRSA02J-271X	MG RESISTOR 270Ω, 1/10W
R6707	NQR0200-003X	FERRITE BEAD
R6708	NQR0200-003X	FERRITE BEAD
R6709	NQR0200-003X	FERRITE BEAD
R6710	NQR0200-003X	FERRITE BEAD
R6711	NRSA02J-684X	MG RESISTOR 680kΩ, 1/10W
R6712	NRSA02J-102X	MG RESISTOR 1kΩ, 1/10W
R6714	NRSA02J-102X	MG RESISTOR 1kΩ, 1/10W
R6716	NQR0200-003X	FERRITE BEAD
R6719	QRE141J-103Y	RESISTOR 10kΩ, 1/4W
R6720	NRSA02J-562X	MG RESISTOR 5.6kΩ, 1/10W
R6721	NRSA02J-562X	MG RESISTOR 5.6kΩ, 1/10W
C6701	NCB21HK-103X	CAPACITOR 0.01μF, 50V
C6704	NCB21HK-103X	CAPACITOR 0.01μF, 50V
C6707	NDC21HJ-470X	CAPACITOR 47pF, 50V
C6708	NDC21HJ-7R0X	CAPACITOR 7pF, 50V

#	△ REF No.	PART No.	PART NAME, DESCRIPTION
C6709		NDC21HJ-3R0X	CAPACITOR 3pF, 50V
C6713		NCF21CZ-224X	CAPACITOR 0.22μF, 16V
C6714		NCB21HK-682X	CAPACITOR 0.0068μF, 50V
C6715		QEKJ1HM-225	E CAPACITOR 2.2μF, 50V
C6716		NCB21HK-682X	CAPACITOR 0.0068μF, 50V
C6717		QEKJ1HM-225	E CAPACITOR 2.2μF, 50V
C6719		QEKJ1EM-106	E CAPACITOR 10μF, 25V
C6720		QEKJ1EM-106	E CAPACITOR 10μF, 25V
C6721		NCB21HK-103X	CAPACITOR 0.01μF, 50V
C6723		NCB21HK-103X	CAPACITOR 0.01μF, 50V
C6724		QEKJ1HM-225	E CAPACITOR 2.2μF, 50V
L6701		QUY153-050Y	IM BUS WIRE
X6701		QAX0443-001	CRYSTAL RESONATOR
K6701		NRSA02J-330X	MG RESISTOR 33Ω, 1/10W
K6702		NQR0200-003X	FERRITE BEAD
K6703		NRSA02J-102X	MG RESISTOR 1kΩ, 1/10W
K6704		NRSA02J-102X	MG RESISTOR 1kΩ, 1/10W
K6705		NRSA02J-100X	MG RESISTOR 10Ω, 1/10W
K6706		NRSA02J-470X	MG RESISTOR 47Ω, 1/10W
K6707		NQR0200-003X	FERRITE BEAD
BK1		LP40425-001A	BRACKET (BOARD)
CN6701		QGG2502K1-10	HEADER PIN, (1-10)MAIN

S-SUB BOARD ASSEMBLY <15>

PW1	LPA10103-08A	S-SUB BOARD ASSY
IC501	JCP8018	IC
	or JCP8028-01	IC
	or JCP8038	IC
	or JCP8028	IC
IC502	VC2076DP	IC
R503	NRSA02J-221X	MG RESISTOR 220Ω, 1/10W
R504	NRSA02J-332X	MG RESISTOR 3.3kΩ, 1/10W
R505	NRSA02J-392X	MG RESISTOR 3.9kΩ, 1/10W
R506	NRSA02J-391X	MG RESISTOR 390Ω, 1/10W
R507	NRSA02J-122X	MG RESISTOR 1.2kΩ, 1/10W
R508	NRSA02J-151X	MG RESISTOR 150Ω, 1/10W
R509	NRSA02J-162X	MG RESISTOR 1.6kΩ, 1/10W
R510	NRVA02D-102X	CMF RESISTOR 1kΩ, 1/10W
R511	NRVA02D-471X	CMF RESISTOR 470Ω, 1/10W
R512	NRVA02D-102X	CMF RESISTOR 1kΩ, 1/10W
R513	NRVA02D-152X	CMF RESISTOR 1.5kΩ, 1/10W
R514	NRVA02D-332X	CMF RESISTOR 3.3kΩ, 1/10W
R515	NRVA02D-332X	CMF RESISTOR 3.3kΩ, 1/10W
R516	NRSA02J-0R0X	MG RESISTOR 0Ω, 1/10W
R517	NRSA02J-0R0X	MG RESISTOR 0Ω, 1/10W
R525	NRSA02J-125X	MG RESISTOR 1.2MΩ, 1/10W
R526	NRSA02J-0R0X	MG RESISTOR 0Ω, 1/10W
R531	NRSA02J-101X	MG RESISTOR 100Ω, 1/10W
R532	NRSA02J-101X	MG RESISTOR 100Ω, 1/10W
R533	NRSA02J-101X	MG RESISTOR 100Ω, 1/10W
R534	NRSA02J-101X	MG RESISTOR 100Ω, 1/10W
R535	NRSA02J-101X	MG RESISTOR 100Ω, 1/10W
R536	NRSA02J-101X	MG RESISTOR 100Ω, 1/10W
B501	NRSA02J-0R0X	MG RESISTOR 0Ω, 1/10W
C501	QEKJ1HM-225	E CAPACITOR 2.2μF, 50V

#	REF No.	PART No.	PART NAME, DESCRIPTION	
C502		QEKJ1EM-475	E CAPACITOR	4.7μF,25V
C503		QEKJ1HM-225	E CAPACITOR	2.2μF,50V
C504		NCB21EK-104X	CAPACITOR	0.1μF,25V
C505		QEKJ1EM-475	E CAPACITOR	4.7μF,25V
C506		NCB21HK-103X	CAPACITOR	0.01μF,50V
C507		QEKJ0JM-476	E CAPACITOR	47μF,6.3V
C508		QEKJ1HM-474	E CAPACITOR	0.47μF,50V
C509		QEKJ1CM-106	E CAPACITOR	10μF,16V
C510		QEKJ0JM-476	E CAPACITOR	47μF,6.3V
C511		NCB21HK-103X	CAPACITOR	0.01μF,50V
C512		NCB21HK-103X	CAPACITOR	0.01μF,50V
C513		QEKJ1EM-475	E CAPACITOR	4.7μF,25V
C514		NCB21HK-103X	CAPACITOR	0.01μF,50V
C515		NCB21HK-103X	CAPACITOR	0.01μF,50V
C516		NCB21HK-103X	CAPACITOR	0.01μF,50V
C518		NCB21EK-104X	CAPACITOR	0.1μF,25V
C519		QEKJ1HM-225	E CAPACITOR	2.2μF,50V
C520		QERF1EM-475	E CAPACITOR	4.7μF,25V
C521		QEKJ1EM-475	E CAPACITOR	4.7μF,25V
C522		QEKJ1HM-225	E CAPACITOR	2.2μF,50V
C523		QEKJ1HM-225	E CAPACITOR	2.2μF,50V
C524		NDC21HG-301X	CAPACITOR	300pF,50V
C525		NDC21HG-301X	CAPACITOR	300pF,50V
C526		NDC21HJ-101X	CAPACITOR	100pF,50V
C527		NDC21HJ-181X	CAPACITOR	180pF,50V
C528		NDC21HG-271X	CAPACITOR	270pF,50V
C529		NDC21HG-820X	CAPACITOR	82pF,50V
C530		NDC21HG-221X	CAPACITOR	220pF,50V
C531		NDC21HG-301X	CAPACITOR	300pF,50V
C532		NDC21HG-301X	CAPACITOR	300pF,50V
C533		NCB21HK-103X	CAPACITOR	0.01μF,50V
C534		QEKJ0JM-476	E CAPACITOR	47μF,6.3V
C535		NCB21HK-103X	CAPACITOR	0.01μF,50V
C551		QEKJ1HM-105	E CAPACITOR	1μF,50V
C553		NCB21HK-103X	CAPACITOR	0.01μF,50V
C554		QEKJ1HM-105	E CAPACITOR	1μF,50V
C556		NCB21HK-103X	CAPACITOR	0.01μF,50V
C557		QEKJ1HM-105	E CAPACITOR	1μF,50V
C559		NCB21HK-103X	CAPACITOR	0.01μF,50V
C560		QEKJ1HM-105	E CAPACITOR	1μF,50V
C561		QEKJ1HM-105	E CAPACITOR	1μF,50V
C562		QEKJ1HM-105	E CAPACITOR	1μF,50V
C564		NCB21HK-103X	CAPACITOR	0.01μF,50V
C566		NCB21HK-103X	CAPACITOR	0.01μF,50V
C568		NDC21HJ-680X	CAPACITOR	68pF,50V
C569		NDC21HJ-680X	CAPACITOR	68pF,50V
C570		NDC21HJ-680X	CAPACITOR	68pF,50V
C571		NDC21HJ-680X	CAPACITOR	68pF,50V
C572		NDC21HJ-680X	CAPACITOR	68pF,50V
C573		NDC21HJ-680X	CAPACITOR	68pF,50V
L501		QQL29BJ-100Z	COIL	10μH
L503		QQL29BJ-100Z	COIL	10μH
L504		QQL29BJ-100Z	COIL	10μH
BK1		LP40077-001A	BRACKET(BOARD)	
CN511		QGG2503K2-30	HEADER PIN,(1-30)MAIN	
CN512		QGF1209F2-14	FFC/FPC CONNECTOR,(1-14)TERMINAL	
CN513		QGF1208F1-09	FPC CONNECTOR,(1-9)P/S CONVERTER	

#	REF No.	PART No.	PART NAME, DESCRIPTION	

NAVIGATION BOARD ASSEMBLY <19>				
	PW1	LPA10145-05A	NAVIGATION BOARD ASSY	
	IC3301	MN101C49GCH	IC	
		or MN101CP12GAFCH	IC	
		or MN101CP49KAFCH	IC	
	IC3401	74HC4053D	IC	
	IC3402	74HC4053D	IC	
	IC3403	AT45D011-SC-X	IC	
	IC3405	TC7W241FU	IC(DIGITAL)	
	IC3406	TC7W241FU	IC(DIGITAL)	
	D3401	RB751V-40-X	SB DIODE	
	D3402	RB751V-40-X	SB DIODE	
	D3407	1SS355	DIODE	
	R3302	NRSA02J-0R0X	MG RESISTOR	0Ω,1/10W
	R3313	NRSA02J-0R0X	MG RESISTOR	0Ω,1/10W
	R3321	NRSA02J-0R0X	MG RESISTOR	0Ω,1/10W
	R3322	NRSA02J-0R0X	MG RESISTOR	0Ω,1/10W
	R3323	NRSA02J-0R0X	MG RESISTOR	0Ω,1/10W
	R3326	NRSA02J-102X	MG RESISTOR	1kΩ,1/10W
	R3328	NRSA02J-0R0X	MG RESISTOR	0Ω,1/10W
	R3329	NRSA02J-0R0X	MG RESISTOR	0Ω,1/10W
	R3330	NRSA02J-0R0X	MG RESISTOR	0Ω,1/10W
	R3331	NRSA02J-223X	MG RESISTOR	22kΩ,1/10W
	R3332	NRSA02J-223X	MG RESISTOR	22kΩ,1/10W
	R3333	NRSA02J-102X	MG RESISTOR	1kΩ,1/10W
	R3339	NRSA02J-102X	MG RESISTOR	1kΩ,1/10W
	R3340	NRSA02J-102X	MG RESISTOR	1kΩ,1/10W
	R3342	NRSA02J-0R0X	MG RESISTOR	0Ω,1/10W
	R3343	NRSA02J-0R0X	MG RESISTOR	0Ω,1/10W
	R3345	NRSA02J-0R0X	MG RESISTOR	0Ω,1/10W
	R3346	NRSA02J-0R0X	MG RESISTOR	0Ω,1/10W
	R3347	NRSA02J-0R0X	MG RESISTOR	0Ω,1/10W
	R3348	NRSA02J-0R0X	MG RESISTOR	0Ω,1/10W
	R3349	NRSA02J-0R0X	MG RESISTOR	0Ω,1/10W
	R3350	NRSA02J-0R0X	MG RESISTOR	0Ω,1/10W
	R3351	NRSA02J-0R0X	MG RESISTOR	0Ω,1/10W
	R3352	NRSA02J-0R0X	MG RESISTOR	0Ω,1/10W
	R3371	NRSA02J-0R0X	MG RESISTOR	0Ω,1/10W
	R3372	NRSA02J-0R0X	MG RESISTOR	0Ω,1/10W
	R3373	NRSA02J-0R0X	MG RESISTOR	0Ω,1/10W
	R3386	NRSA02J-103X	MG RESISTOR	10kΩ,1/10W
	R3401	NRSA02J-0R0X	MG RESISTOR	0Ω,1/10W
	R3402	NRSA02J-0R0X	MG RESISTOR	0Ω,1/10W
	R3403	NRSA02J-0R0X	MG RESISTOR	0Ω,1/10W
	R3404	NRSA02J-0R0X	MG RESISTOR	0Ω,1/10W
	R3412	NRSA02J-0R0X	MG RESISTOR	0Ω,1/10W
	R3414	NRSA02J-0R0X	MG RESISTOR	0Ω,1/10W
	R3415	NRSA02J-0R0X	MG RESISTOR	0Ω,1/10W
	R3422	NRSA02J-0R0X	MG RESISTOR	0Ω,1/10W
	R3432	NRSA02J-0R0X	MG RESISTOR	0Ω,1/10W
	R3462	NRSA02J-103X	MG RESISTOR	10kΩ,1/10W
	R3465	NRSA02J-472X	MG RESISTOR	4.7kΩ,1/10W
	R3466	NRSA02J-0R0X	MG RESISTOR	0Ω,1/10W
	R3468	NRSA02J-103X	MG RESISTOR	10kΩ,1/10W
	R3472	NRSA02J-472X	MG RESISTOR	4.7kΩ,1/10W
	R3475	NRSA02J-103X	MG RESISTOR	10kΩ,1/10W
	B3301	NRSA02J-0R0X	MG RESISTOR	0Ω,1/10W

#	△ REF No.	PART No.	PART NAME, DESCRIPTION
B3405		NRSA02J-0R0X	MG RESISTOR 0Ω,1/10W
B3406		NRSA02J-0R0X	MG RESISTOR 0Ω,1/10W
B3407		NRSA02J-0R0X	MG RESISTOR 0Ω,1/10W
B3408		NRSA02J-0R0X	MG RESISTOR 0Ω,1/10W
B3409		NRSA02J-0R0X	MG RESISTOR 0Ω,1/10W
B3410		NRSA02J-0R0X	MG RESISTOR 0Ω,1/10W
C3312		NDC21HJ-120X	CAPACITOR 12pF,50V
C3313		NDC21HJ-120X	CAPACITOR 12pF,50V
C3314		NCB21EK-104X	CAPACITOR 0.1μF,25V
C3321		NDC21HJ-220X	CAPACITOR 22pF,50V
C3322		NDC21HJ-220X	CAPACITOR 22pF,50V
C3323		NDC21HJ-220X	CAPACITOR 22pF,50V
C3333		NCB21EK-104X	CAPACITOR 0.1μF,25V
C3345		NDC21HJ-220X	CAPACITOR 22pF,50V
C3346		NDC21HJ-220X	CAPACITOR 22pF,50V
C3347		NDC21HJ-220X	CAPACITOR 22pF,50V
C3401		QEKJ0JM-226	E CAPACITOR 22μF,6.3V
C3402		NCB21EK-104X	CAPACITOR 0.1μF,25V
C3403		NCB21EK-104X	CAPACITOR 0.1μF,25V
C3404		NCB21EK-104X	CAPACITOR 0.1μF,25V
C3405		NCB21EK-104X	CAPACITOR 0.1μF,25V
C3414		NCB21EK-104X	CAPACITOR 0.1μF,25V
X3301		QAX0584-001	CRYSTAL RESONATOR
BK1		LP40425-001A	BRACKET(PWB)
CN3401		QGG2502K1-13	HEADER PIN,(1-13)MAIN
CN3402		QGF1207F1-08	FPC CONNECTOR,(1-8)TERMINAL

#	△ REF No.	PART No.	PART NAME, DESCRIPTION
R7021		QRE141J-122Y	RESISTOR 1.2kΩ,1/4W
R7022		QRE141J-182Y	RESISTOR 1.8kΩ,1/4W
R7023		QRE141J-222Y	RESISTOR 2.2kΩ,1/4W
R7024		QRE141J-272Y	RESISTOR 2.7kΩ,1/4W
R7025		QRE141J-472Y	RESISTOR 4.7kΩ,1/4W
R7026		QRE141J-682Y	RESISTOR 6.8kΩ,1/4W
R7027		QRE141J-153Y	RESISTOR 15kΩ,1/4W
R7028		QRE141J-393Y	RESISTOR 39kΩ,1/4W
R7030		QRE141J-103Y	RESISTOR 10kΩ,1/4W
R7031		QRE141J-122Y	RESISTOR 1.2kΩ,1/4W
R7032		QRE141J-182Y	RESISTOR 1.8kΩ,1/4W
R7033		QRE141J-222Y	RESISTOR 2.2kΩ,1/4W
R7034		QRE141J-272Y	RESISTOR 2.7kΩ,1/4W
R7035		QRE141J-472Y	RESISTOR 4.7kΩ,1/4W
R7036		QRE141J-682Y	RESISTOR 6.8kΩ,1/4W
R7037		QRE141J-563Y	RESISTOR 56kΩ,1/4W
R7040		QRE141J-331Y	RESISTOR 330Ω,1/4W
R7041		QRE141J-331Y	RESISTOR 330Ω,1/4W
B7001		QUY153-050Y	IM BUS WIRE
B7003		QUY160-100Y	IM BUS WIRE
C7001		QCFB1HZ-104	CAPACITOR 0.1μF,50V
C7007		QETN1HM-476	E CAPACITOR 47μF,50V
C7009		QCSB1HJ-150	CAPACITOR 15pF,50V
C7010		QCFB1HZ-104	CAPACITOR 0.1μF,50V
C7011		QETN1AM-227	E CAPACITOR 220μF,10V
C7019		QDVB1EZ-223Y	CAPACITOR 0.022μF,25V
C7023		QEK1HM-106	E CAPACITOR 10μF,50V
L7001		QQL29BK-1R0Z	COIL 1.0μH
S7001		QSW0456-002Z	TACT SWITCH,POWER
S7002		QSW0456-002Z	TACT SWITCH,MARK
S7003		QSW0456-002Z	TACT SWITCH,ERASE
S7004		QSW0456-002Z	TACT SWITCH,REC
S7005		QSW0456-002Z	TACT SWITCH,PAUSE
S7006		QSW0456-002Z	TACT SWITCH,PLAY
S7007		QSW0456-002Z	TACT SWITCH,24H TIMER
S7008		QSW0456-002Z	TACT SWITCH,A.DUB
S7009		QSW0456-002Z	TACT SWITCH,INSERT
S7010		QSW0456-002Z	TACT SWITCH,STOP/EJECT
S7011		QSW0456-002Z	TACT SWITCH,TIMER
S7012		QSW0456-002Z	TACT SWITCH,SVHS ET
S7013		QSW0456-002Z	TACT SWITCH,SAT.TIMER
S7014		QSW0456-002Z	TACT SWITCH,C.RESET
S7015		QSW0456-002Z	TACT SWITCH,SYNC.EDIT
DI7001		QLF0032-002	FL TUBE
HD1		LP30428-001A	FDP HOLDER(L),DI7001
HD2		LP30429-001A	FDP HOLDER(R),DI7001
HD3		PQM30038-2-2	LED HOLDER,D7009
HD4		PQM30038-2-2	LED HOLDER,D7010
CN7001		QGF1201C2-14	FPC CONNECTOR,(1-14)MAIN

SW/DISPLAY BOARD ASSEMBLY <28>

PW1	LPA10148-01B1	SW/DISPLAY BOARD ASSY
IC7001	M35500BFP	IC
	or M35500BGP	IC
	or M35500AGP	IC
IC7002	GP1U281X	IR DETECT UNIT
	or PNA4652M00XB	IR DETECT UNIT
D7002	RD9.1ES/B2/-T2	ZENER DIODE
	or MTZJ9.1B	ZENER DIODE
D7004	1SS133	DIODE
	or 1SS270A	DIODE
D7005	1SS133	DIODE
	or 1SS270A	DIODE
D7008	QUY153-050Y	IM BUS WIRE
D7009	SLR-342MC3F	LE DIODE,SVHS ET
D7010	SLR-342VC3F	LE DIODE,SAT.TIMER
R7001	QRE141J-471Y	RESISTOR 470Ω,1/4W
R7002	QRE141J-471Y	RESISTOR 470Ω,1/4W
R7003	QRE141J-471Y	RESISTOR 470Ω,1/4W
R7004	QRE141J-471Y	RESISTOR 470Ω,1/4W
R7005	QRE141J-103Y	RESISTOR 10kΩ,1/4W
R7006	QRE141J-103Y	RESISTOR 10kΩ,1/4W
R7007	QRE141J-103Y	RESISTOR 10kΩ,1/4W
R7008	QRE141J-103Y	RESISTOR 10kΩ,1/4W
R7013	QRE141J-103Y	RESISTOR 10kΩ,1/4W
R7014	QUY153-050Y	IM BUS WIRE
R7015	QUY153-050Y	IM BUS WIRE
R7020	QRE141J-103Y	RESISTOR 10kΩ,1/4W

REC SAFETY BOARD ASSEMBLY <32>

PW3	LPA10148-01A3	REC SAFETY BOARD ASSY
S7041	QSW0602-004	PUSH SWITCH,REC SAFETY
FW7001	QUM022-07A4A4	P.R. WIRE,SW/DISPLAY

REF No. PART No. PART NAME, DESCRIPTION

JACK BOARD ASSEMBLY <36>

PW2	LPA10148-01A2	JACK BOARD ASSY	
R7192	QUY153-050Y	IM BUS WIRE	
C7192	QCBB1HK-681	CAPACITOR	680pF,50V
C7194	QCBB1HK-681	CAPACITOR	680pF,50V
L7191	QRE141J-101Y	RESISTOR	100Ω,1/4W
L7192	QRE141J-101Y	RESISTOR	100Ω,1/4W
L7193	QUY153-050Y	IM BUS WIRE	
L7194	QUY153-050Y	IM BUS WIRE	
J7191	QNN0371-004	PIN JACK,FRONT V IN	
J7192	QNN0371-003	PIN JACK,FRONT L IN	
J7193	QNN0372-002	PIN JACK,FRONT R IN	
J7194	QND0085-001	S JACK,FRONT S IN	
CN7191	QGF1201C1-11	FPC CONNECTOR,(1-11)MAIN	

ADV.JOG BOARD ASSEMBLY <38>

PW4	LPA10148-01A4	ADV.JOG BOARD ASSY	
UN7001	QSW0905-001	ROTARY ENCODER	
CN7004	QGF1208F1-04	FPC CONNECTOR,(1-4)MAIN	

AUDIO ERASE BOARD ASSEMBLY <46>

PW2	LPA10147-01A2	AUDIO ERASE BOARD ASSY	
Q2051	2SC4081/QRS/-X	TRANSISTOR	
	or 2SD1819A/QRS/-X	TRANSISTOR	
	or 2PC4081/R/-X	TRANSISTOR	
R2054	NRSA02J-153X	MG RESISTOR	15kΩ,1/10W
R2055	NRSA02J-3R3X	MG RESISTOR	3.3Ω,1/10W
C2052	QFLC1HJ-333Z	F CAPACITOR	0.033μF,50V
C2053	NCB21HK-332X	CAPACITOR	0.0033μF,50V
C2054	NCB21HK-103X	CAPACITOR	0.01μF,50V
C2055	QEKJ1EM-106	E CAPACITOR	10μF,25V
T2051	PELN0860	OSC TRANSFORMER	
CN2052	QGB2024J1-04S	CONNECTOR,(1-4)MAIN	

LOADING MOTOR BOARD ASSEMBLY <55>

PW2	LPA10010-01A2	L.MOTOR BOARD ASSY	
-----	---------------	--------------------	--

REF No. PART No. PART NAME, DESCRIPTION

CN1 QGB2533K1-02 CONNECTOR

P/S CONVERTER BOARD ASSEMBLY <87>

PW1	PB11062F	P/S CONVERTER BOARD ASSY	
IC3502	TDA4650	IC	
IC3503	TDA4665T	IC	
IC3504	TDA2595	IC	
IC3505	TDA8505	IC	
IC3506	TDA8501T/N1-X	IC	
IC3508	MM1233XF	IC	
IC3509	MM1111XF	IC	
IC3510	TC74HC4066AF	IC	
IC3512	74HC74D	IC	
IC3513	74HC4538D	IC	
IC3514	74HC221D	IC	
IC3515	MM1111XF	IC	
IC3517	BA7046F	IC	
	or BA7046F-XE	IC	
IC3518	TA75S393F	IC	
Q3504	2SD1819A/QRS/-X	TRANSISTOR	
	or 2SC4081/QRS/-X	TRANSISTOR	
	or 2PC4081/R/-X	TRANSISTOR	
Q3505	2SB1218A/QR/-X	TRANSISTOR	
	or 2SA1576A/QR/-X	TRANSISTOR	
	or 2PA1576/R/-X	TRANSISTOR	
Q3506	2SD1819A/QRS/-X	TRANSISTOR	
	or 2PC4081/R/-X	TRANSISTOR	
	or 2SC4081/QRS/-X	TRANSISTOR	
Q3507	2SD1819A/QRS/-X	TRANSISTOR	
	or 2SC4081/QRS/-X	TRANSISTOR	
	or 2PC4081/R/-X	TRANSISTOR	
Q3508	2SD1819A/QRS/-X	TRANSISTOR	
	or 2PC4081/R/-X	TRANSISTOR	
	or 2SC4081/QRS/-X	TRANSISTOR	
Q3509	2SB1218A/QR/-X	TRANSISTOR	
	or 2SA1576A/QR/-X	TRANSISTOR	
	or 2PA1576/R/-X	TRANSISTOR	
Q3510	2SD1819A/QRS/-X	TRANSISTOR	
	or 2PC4081/R/-X	TRANSISTOR	
	or 2SC4081/QRS/-X	TRANSISTOR	
Q3511	2SD1819A/QRS/-X	TRANSISTOR	
	or 2SC4081/QRS/-X	TRANSISTOR	
	or 2PC4081/R/-X	TRANSISTOR	
Q3512	2SD1819A/QRS/-X	TRANSISTOR	
	or 2PC4081/R/-X	TRANSISTOR	
	or 2SC4081/QRS/-X	TRANSISTOR	
Q3513	2SB1218A/QR/-X	TRANSISTOR	
	or 2SA1576A/QR/-X	TRANSISTOR	
	or 2PA1576/R/-X	TRANSISTOR	
Q3514	2SD1819A/QRS/-X	TRANSISTOR	
	or 2PC4081/R/-X	TRANSISTOR	
	or 2SC4081/QRS/-X	TRANSISTOR	
Q3515	2SD1819A/QRS/-X	TRANSISTOR	
	or 2SC4081/QRS/-X	TRANSISTOR	
	or 2PC4081/R/-X	TRANSISTOR	
Q3520	2SD1819A/QRS/-X	TRANSISTOR	
	or 2PC4081/R/-X	TRANSISTOR	
	or 2SC4081/QRS/-X	TRANSISTOR	

#	△ REF No.	PART No.	PART NAME, DESCRIPTION		#	△ REF No.	PART No.	PART NAME, DESCRIPTION	
Q3525		2SD1819A/QRS/-X	TRANSISTOR		R3557		NRSA02J-152X	MG RESISTOR	1.5kΩ,1/10W
		or 2SC4081/QRS/-X	TRANSISTOR		R3558		NRSA02J-102X	MG RESISTOR	1kΩ,1/10W
		or 2PC4081/R/-X	TRANSISTOR		R3559		NRSA02J-102X	MG RESISTOR	1kΩ,1/10W
Q3531		DTC144TU	TRANSISTOR		R3560		NRSA02J-102X	MG RESISTOR	1kΩ,1/10W
Q3532		DTC144TU	TRANSISTOR		R3571		NRSA02J-221X	MG RESISTOR	220Ω,1/10W
Q3533		DTC144EU	TRANSISTOR		R3572		NRSA02J-102X	MG RESISTOR	1kΩ,1/10W
Q3536		UN521E	TRANSISTOR		R3573		NRSA02J-221X	MG RESISTOR	220Ω,1/10W
		or RN1309	TRANSISTOR		R3574		NRSA02J-561X	MG RESISTOR	560Ω,1/10W
		or DTC144WU	TRANSISTOR		R3591		NRSA02J-681X	MG RESISTOR	680Ω,1/10W
		or PDTC144WU	TRANSISTOR		R3592		NRSA02J-331X	MG RESISTOR	330Ω,1/10W
Q3540		2SD1819A/QRS/-X	TRANSISTOR		R3593		NRSA02J-331X	MG RESISTOR	330Ω,1/10W
		or 2PC4081/R/-X	TRANSISTOR		R3594		NRSA02J-332X	MG RESISTOR	3.3kΩ,1/10W
		or 2SC4081/QRS/-X	TRANSISTOR		R3595		NRSA02J-103X	MG RESISTOR	10kΩ,1/10W
Q3541		2SD1819A/QRS/-X	TRANSISTOR		R3596		NRSA02J-103X	MG RESISTOR	10kΩ,1/10W
		or 2SC4081/QRS/-X	TRANSISTOR		R3597		NRSA02J-101X	MG RESISTOR	100Ω,1/10W
		or 2PC4081/R/-X	TRANSISTOR		R3598		NRSA02J-101X	MG RESISTOR	100Ω,1/10W
Q3542		2SB1218A/QR/-X	TRANSISTOR		R3599		NRSA02J-122X	MG RESISTOR	1.2kΩ,1/10W
		or 2PA1576/R/-X	TRANSISTOR		R3600		NRSA02J-102X	MG RESISTOR	1kΩ,1/10W
		or 2SA1576A/QR/-X	TRANSISTOR		R3601		NRSA02J-681X	MG RESISTOR	680Ω,1/10W
Q3543		2SD1819A/QRS/-X	TRANSISTOR		R3602		NRSA02J-101X	MG RESISTOR	100Ω,1/10W
		or 2SC4081/QRS/-X	TRANSISTOR		R3604		NRSA02J-331X	MG RESISTOR	330Ω,1/10W
		or 2PC4081/R/-X	TRANSISTOR		R3605		NRSA02J-105X	MG RESISTOR	1MΩ,1/10W
Q3544		2SD1819A/QRS/-X	TRANSISTOR		R3607		NRSA02J-101X	MG RESISTOR	100Ω,1/10W
		or 2PC4081/R/-X	TRANSISTOR		R3608		NRSA02J-183X	MG RESISTOR	18kΩ,1/10W
		or 2SC4081/QRS/-X	TRANSISTOR		R3609		NRSA02J-223X	MG RESISTOR	22kΩ,1/10W
Q3545		2SB1218A/QR/-X	TRANSISTOR		R3610		NRSA02J-391X	MG RESISTOR	390Ω,1/10W
		or 2SA1576A/QR/-X	TRANSISTOR		R3619		NRSA02J-222X	MG RESISTOR	2.2kΩ,1/10W
		or 2PA1576/R/-X	TRANSISTOR		R3620		NRSA02J-472X	MG RESISTOR	4.7kΩ,1/10W
Q3546		2SD1819A/QRS/-X	TRANSISTOR		R3621		NRSA02J-123X	MG RESISTOR	12kΩ,1/10W
		or 2PC4081/R/-X	TRANSISTOR		R3622		NRSA02J-124X	MG RESISTOR	120kΩ,1/10W
		or 2SC4081/QRS/-X	TRANSISTOR		R3623		NRSA02J-104X	MG RESISTOR	100kΩ,1/10W
D3502		DAN202U	DIODE		R3624		NRSA02J-562X	MG RESISTOR	5.6kΩ,1/10W
D3504		1SS355	DIODE		R3627		NRSA02J-562X	MG RESISTOR	5.6kΩ,1/10W
R3528		NRSA02J-511X	MG RESISTOR	510Ω,1/10W	R3628		NRSA02J-332X	MG RESISTOR	3.3kΩ,1/10W
R3529		NRSA02J-681X	MG RESISTOR	680Ω,1/10W	R3629		NRSA02J-0R0X	MG RESISTOR	0Ω,1/10W
R3531		NRSA02J-563X	MG RESISTOR	56kΩ,1/10W	R3630		NRSA02J-103X	MG RESISTOR	10kΩ,1/10W
R3532		NRSA02J-473X	MG RESISTOR	47kΩ,1/10W	R3631		NRSA02J-203X	MG RESISTOR	20kΩ,1/10W
R3533		NRSA02J-122X	MG RESISTOR	1.2kΩ,1/10W	R3632		NRSA02J-333X	MG RESISTOR	33kΩ,1/10W
R3534		NRSA02J-681X	MG RESISTOR	680Ω,1/10W	R3633		NRSA02J-391X	MG RESISTOR	390Ω,1/10W
R3535		NRSA02J-681X	MG RESISTOR	680Ω,1/10W	R3634		NRSA02J-102X	MG RESISTOR	1kΩ,1/10W
R3536		NRSA02J-331X	MG RESISTOR	330Ω,1/10W	R3635		NRSA02J-101X	MG RESISTOR	100Ω,1/10W
R3537		NRSA02J-182X	MG RESISTOR	1.8kΩ,1/10W	R3636		NRSA02J-223X	MG RESISTOR	22kΩ,1/10W
R3538		NRSA02J-102X	MG RESISTOR	1kΩ,1/10W	R3637		NRSA02J-182X	MG RESISTOR	1.8kΩ,1/10W
R3539		NRSA02J-222X	MG RESISTOR	2.2kΩ,1/10W	R3638		NRSA02J-122X	MG RESISTOR	1.2kΩ,1/10W
R3540		NRSA02J-152X	MG RESISTOR	1.5kΩ,1/10W	R3652		NRSA02J-103X	MG RESISTOR	10kΩ,1/10W
R3541		NRSA02J-153X	MG RESISTOR	15kΩ,1/10W	R3653		NRSA02J-152X	MG RESISTOR	1.5kΩ,1/10W
R3542		NRSA02J-183X	MG RESISTOR	18kΩ,1/10W	R3654		NRSA02J-222X	MG RESISTOR	2.2kΩ,1/10W
R3543		NRSA02J-122X	MG RESISTOR	1.2kΩ,1/10W	R3658		NRSA02J-103X	MG RESISTOR	10kΩ,1/10W
R3544		NRSA02J-681X	MG RESISTOR	680Ω,1/10W	R3660		NRSA02J-154X	MG RESISTOR	150kΩ,1/10W
R3545		NRSA02J-751X	MG RESISTOR	750Ω,1/10W	R3666		NRSA02J-0R0X	MG RESISTOR	0Ω,1/10W
R3546		NRSA02J-121X	MG RESISTOR	120Ω,1/10W	R3668		NRSA02J-561X	MG RESISTOR	560Ω,1/10W
R3547		NRSA02J-122X	MG RESISTOR	1.2kΩ,1/10W	R3669		NRSA02J-122X	MG RESISTOR	1.2kΩ,1/10W
R3548		NRSA02J-102X	MG RESISTOR	1kΩ,1/10W	R3671		NRSA02J-122X	MG RESISTOR	1.2kΩ,1/10W
R3549		NRSA02J-102X	MG RESISTOR	1kΩ,1/10W	R3672		NRSA02J-102X	MG RESISTOR	1kΩ,1/10W
R3550		NRSA02J-102X	MG RESISTOR	1kΩ,1/10W	R3673		NRSA02J-681X	MG RESISTOR	680Ω,1/10W
R3551		NRSA02J-563X	MG RESISTOR	56kΩ,1/10W	R3674		NRSA02J-101X	MG RESISTOR	100Ω,1/10W
R3552		NRSA02J-223X	MG RESISTOR	22kΩ,1/10W	R3676		NRSA02J-331X	MG RESISTOR	330Ω,1/10W
R3553		NRSA02J-122X	MG RESISTOR	1.2kΩ,1/10W	R3677		NRSA02J-331X	MG RESISTOR	330Ω,1/10W
R3554		NRSA02J-681X	MG RESISTOR	680Ω,1/10W	R3678		NRSA02J-474X	MG RESISTOR	470kΩ,1/10W
R3555		NRSA02J-821X	MG RESISTOR	820Ω,1/10W	R3679		NRSA02J-103X	MG RESISTOR	10kΩ,1/10W
R3556		NRSA02J-121X	MG RESISTOR	120Ω,1/10W	R3681		NRSA02J-0R0X	MG RESISTOR	0Ω,1/10W

#	△	REF No.	PART No.	PART NAME, DESCRIPTION	#	△	REF No.	PART No.	PART NAME, DESCRIPTION
R3682			NRSA02J-162X	MG RESISTOR 1.6kΩ,1/10W	C3572			NCB21HJ-103X	CAPACITOR 0.01μF,50V
R3683			NRSA02J-0R0X	MG RESISTOR 0Ω,1/10W	C3573			QEKJ1EM-475	E CAPACITOR 4.7μF,25V
R3684			NRSA02J-103X	MG RESISTOR 10kΩ,1/10W	C3575			QEKJ1CM-476	E CAPACITOR 47μF,16V
R3685			NRSA02J-272X	MG RESISTOR 2.7kΩ,1/10W	C3576			NCB21HJ-103X	CAPACITOR 0.01μF,50V
R3686			NRSA02J-333X	MG RESISTOR 33kΩ,1/10W	C3577			NDC21HJ-561X	CAPACITOR 560pF,50V
R3687			NRSA02J-103X	MG RESISTOR 10kΩ,1/10W	C3578			NCB21HJ-103X	CAPACITOR 0.01μF,50V
R3688			NRSA02J-474X	MG RESISTOR 470kΩ,1/10W	C3581			QEKJ1HM-105	E CAPACITOR 1μF,50V
R3689			NRSA02J-134X	MG RESISTOR 130kΩ,1/10W	C3582			QEKJ1HM-105	E CAPACITOR 1μF,50V
R3691			NRSA02J-123X	MG RESISTOR 12kΩ,1/10W	C3583			NCB21HJ-102X	CAPACITOR 0.001μF,50V
R3692			NRSA02J-102X	MG RESISTOR 1kΩ,1/10W	C3584			NCB21HJ-103X	CAPACITOR 0.01μF,50V
R3693			NRSA02J-183X	MG RESISTOR 18kΩ,1/10W	C3585			NCB21HK-682X	CAPACITOR 0.0068μF,50V
R3694			NRSA02J-103X	MG RESISTOR 10kΩ,1/10W	C3586			NCB21CK-224X	CAPACITOR 0.22μF,16V
R3695			NRSA02J-102X	MG RESISTOR 1kΩ,1/10W	C3587			NCB21HJ-103X	CAPACITOR 0.01μF,50V
VR3501			QVP0039-223Z	TRIM RESISTOR, FH FREE RUN ADJ.	C3588			NCB21HJ-103X	CAPACITOR 0.01μF,50V
VR3502			QVP0039-471Z	TRIM RESISTOR, SECAM DECODE	C3589			QFN31HJ-104	F CAPACITOR 0.1μF,50V
VR3503			QVP0039-104Z	TRIM RESISTOR, PAL BURST ADJ.	C3590			NDC21HJ-120X	CAPACITOR 12pF,50V
VR3504			QVP0039-472Z	TRIM RESISTOR, CONV'D COLOR	C3591			NCB21EK-223X	CAPACITOR 0.022μF,25V
VR3505			QVP0039-471Z	TRIM RESISTOR, R-Y LEVEL ADJ.	C3592			NCB21HJ-103X	CAPACITOR 0.01μF,50V
VR3506			QVP0039-471Z	TRIM RESISTOR, B-Y LEVEL ADJ.	C3593			NCB21HJ-103X	CAPACITOR 0.01μF,50V
B3503			NRSA02J-0R0X	MG RESISTOR 0Ω,1/10W	C3594			QEKJ1CM-476	E CAPACITOR 47μF,16V
C3526			NDC21HJ-121X	CAPACITOR 120pF,50V	C3595			QEKJ1HM-105	E CAPACITOR 1μF,50V
C3527			NCB21HJ-103X	CAPACITOR 0.01μF,50V	C3596			QEKJ1HM-474	E CAPACITOR 0.47μF,50V
C3528			NCB21HJ-103X	CAPACITOR 0.01μF,50V	C3597			QEKJ1CM-476	E CAPACITOR 47μF,16V
C3529			NCB21HJ-103X	CAPACITOR 0.01μF,50V	C3598			QEKJ1EM-475	E CAPACITOR 4.7μF,25V
C3530			NDC21HJ-101X	CAPACITOR 100pF,50V	C3599			QEKJ1CM-476	E CAPACITOR 47μF,16V
C3531			NCB21HJ-103X	CAPACITOR 0.01μF,50V	C3600			QEKJ1HM-105	E CAPACITOR 1μF,50V
C3532			NCB21HJ-103X	CAPACITOR 0.01μF,50V	C3601			QEKJ1HM-105	E CAPACITOR 1μF,50V
C3533			NCB21HJ-103X	CAPACITOR 0.01μF,50V	C3602			NCB21CK-224X	CAPACITOR 0.22μF,16V
C3535			QEKJ1CM-476	E CAPACITOR 47μF,16V	C3603			NCB21HJ-103X	CAPACITOR 0.01μF,50V
C3536			QEKJ1CM-106	E CAPACITOR 10μF,16V	C3604			NCB21CK-224X	CAPACITOR 0.22μF,16V
C3537			QEKJ1CM-106	E CAPACITOR 10μF,16V	C3605			NCB21EK-223X	CAPACITOR 0.022μF,25V
C3539			QEKJ1CM-476	E CAPACITOR 47μF,16V	C3606			NCB21HJ-103X	CAPACITOR 0.01μF,50V
C3540			NCB21CK-224X	CAPACITOR 0.22μF,16V	C3607			NCB21CK-224X	CAPACITOR 0.22μF,16V
C3541			NCB21HJ-103X	CAPACITOR 0.01μF,50V	C3608			NDC21HG-150X	CAPACITOR 15pF,50V
C3542			NCB21HJ-103X	CAPACITOR 0.01μF,50V	C3609			NCB21EK-223X	CAPACITOR 0.022μF,25V
C3543			NDC21HJ-181X	CAPACITOR 180pF,50V	C3610			QEKJ1CM-476	E CAPACITOR 47μF,16V
C3544			NDC21HJ-181X	CAPACITOR 180pF,50V	C3611			QEKJ1CM-476	E CAPACITOR 47μF,16V
C3545			NCB21EK-104X	CAPACITOR 0.1μF,25V	C3612			NCB21HJ-103X	CAPACITOR 0.01μF,50V
C3546			NCB21EK-104X	CAPACITOR 0.1μF,25V	C3613			NCB21HJ-103X	CAPACITOR 0.01μF,50V
C3547			NDC21HJ-270X	CAPACITOR 27pF,50V	C3614			NDC21HJ-222X	CAPACITOR 0.0022μF,50V
C3548			NDC21HJ-270X	CAPACITOR 27pF,50V	C3615			NCB21HJ-103X	CAPACITOR 0.01μF,50V
C3549			NCB21EK-104X	CAPACITOR 0.1μF,25V	C3616			NDC21HJ-101X	CAPACITOR 100pF,50V
C3550			NCB21CK-474X	CAPACITOR 0.47μF,16V	C3617			NCB21HJ-103X	CAPACITOR 0.01μF,50V
C3551			NDC21HJ-180X	CAPACITOR 18pF,50V	C3618			NDC21HJ-2R0X	CAPACITOR 2pF,50V
C3552			NCB21EK-223X	CAPACITOR 0.022μF,25V	C3619			NCB21HJ-103X	CAPACITOR 0.01μF,50V
C3553			NCB21EK-223X	CAPACITOR 0.022μF,25V	C3625			QEKJ1CM-476	E CAPACITOR 47μF,16V
C3554			NCB21HJ-103X	CAPACITOR 0.01μF,50V	C3628			QEQF1HM-105	NP E CAPACITOR 1μF,50V
C3555			QEKJ1CM-107	E CAPACITOR 100μF,16V	C3629			QEQF1HM-105	NP E CAPACITOR 1μF,50V
C3556			NCB21HJ-103X	CAPACITOR 0.01μF,50V	C3630			NCB21HJ-103X	CAPACITOR 0.01μF,50V
C3557			QEKJ1CM-476	E CAPACITOR 47μF,16V	C3632			NCB21HJ-103X	CAPACITOR 0.01μF,50V
C3558			NCB21HJ-103X	CAPACITOR 0.01μF,50V	C3633			NCB21HJ-103X	CAPACITOR 0.01μF,50V
C3559			QEKJ1CM-476	E CAPACITOR 47μF,16V	C3634			QEKJ1CM-106	E CAPACITOR 10μF,16V
C3561			QEKJ1HM-335	E CAPACITOR 3.3μF,50V	C3639			QEKJ1CM-106	E CAPACITOR 10μF,16V
C3564			QEKJ1EM-475	E CAPACITOR 4.7μF,25V	C3640			QEKJ1CM-476	E CAPACITOR 47μF,16V
C3565			NCB21HJ-103X	CAPACITOR 0.01μF,50V	C3647			NCB21HJ-103X	CAPACITOR 0.01μF,50V
C3566			NCB21EK-223X	CAPACITOR 0.022μF,25V	C3648			QEKJ1HM-105	E CAPACITOR 1μF,50V
C3567			NCB21CK-224X	CAPACITOR 0.22μF,16V	C3649			NCB21HJ-103X	CAPACITOR 0.01μF,50V
C3568			NCB21CK-224X	CAPACITOR 0.22μF,16V	C3650			QEKJ1CM-476	E CAPACITOR 47μF,16V
C3569			NCB21HJ-103X	CAPACITOR 0.01μF,50V	C3652			NDC21HJ-222X	CAPACITOR 0.0022μF,50V
C3570			QFN31HJ-472	F CAPACITOR 0.0047μF,50V	C3655			NDC21HJ-222X	CAPACITOR 0.0022μF,50V
C3571			NCB21HK-472X	CAPACITOR 0.0047μF,50V	C3656			NCB21HJ-103X	CAPACITOR 0.01μF,50V

#	△ REF No.	PART No.	PART NAME, DESCRIPTION
C3657		QEKJ1CM-476	E CAPACITOR 47μF,16V
C3658		NDC21HJ-102X	CAPACITOR 0.001μF,50V
C3659		NCB21HJ-103X	CAPACITOR 0.01μF,50V
C3660		NDC21HJ-222X	CAPACITOR 0.0022μF,50V
C3661		NDC21HJ-101X	CAPACITOR 100pF,50V
C3662		QEKJ1HM-105	E CAPACITOR 1μF,50V
C3663		NCB21HJ-103X	CAPACITOR 0.01μF,50V
C3665		NCB21HJ-272X	CAPACITOR 0.0027μF,50V
L3501		QQL29BJ-101Z	COIL 100μH
L3502		QQL29BJ-101Z	COIL 100μH
L3503		QQL29BJ-101Z	COIL 100μH
L3504		QQL29BJ-331Z	COIL 330μH
L3505		QQL29BJ-101Z	COIL 100μH
L3506		QQL29BJ-101Z	COIL 100μH
L3507		QQL29BJ-101Z	COIL 100μH
L3508		QQL29BJ-101Z	COIL 100μH
L3509		QQL29BJ-101Z	COIL 100μH
L3513		QQR0660-001	BLOCK COIL, SECAM DECODE ADJ.
L3516		QQL29BJ-101Z	COIL 100μH
		or QQL342J-101Z	COIL 100μH
X3501		QAX0346-001Z	CRYSTAL RESONATOR
X3502		QAX0344-001Z	CRYSTAL RESONATOR
X3503		QAX0345-001Z	CRYSTAL RESONATOR
FL3501		PELN1223	EQUALIZER
FL3502		QQR0662-001	EQUALIZER
FL3503		QQR0661-001	EQUALIZER
FL3505		PELN1207	LOW PASS FILTER
FL3506		PELN1205	LC TRAP
SD1		LP20275-001B	SHIELD FRAME
CN3501		QGF1208F1-10	FPC CONNECTOR,(11-20)MAIN
CN3502		QGF1208F1-09	FPC CONNECTOR,(1-9)S-SUB

#	△ REF No.	PART No.	PART NAME, DESCRIPTION
R315		NRSA02J-564X	MG RESISTOR 560kΩ,1/10W
R316		NRSA02J-124X	MG RESISTOR 120kΩ,1/10W
R329		NRSA02J-0R0X	MG RESISTOR 0Ω,1/10W
C301		NDC21HJ-151X	CAPACITOR 150pF,50V
C302		NCB21AK-105X	CAPACITOR 1μF,10V
C303		NCB21HK-682X	CAPACITOR 0.0068μF,50V
C304		NCB21HK-682X	CAPACITOR 0.0068μF,50V
C305		NCB21HK-103X	CAPACITOR 0.01μF,50V
C306		NCB21AK-105X	CAPACITOR 1μF,10V
C307		NDC21HJ-151X	CAPACITOR 150pF,50V
C308		NCB21HK-103X	CAPACITOR 0.01μF,50V
C309		NCB21EK-104X	CAPACITOR 0.1μF,25V
C310		NCB21HK-103X	CAPACITOR 0.01μF,50V
C311		NCB21HK-103X	CAPACITOR 0.01μF,50V
C312		NCB21HK-102X	CAPACITOR 0.001μF,50V
C313		NCB21CK-474X	CAPACITOR 0.47μF,16V
C315		NCB21AK-105X	CAPACITOR 1μF,10V
C316		NCB21HK-103X	CAPACITOR 0.01μF,50V
C317		NDC21HJ-681X	CAPACITOR 680pF,50V
C318		NCB21EK-223X	CAPACITOR 0.022μF,25V
C319		NCB21AK-105X	CAPACITOR 1μF,10V
C320		NCB21HK-103X	CAPACITOR 0.01μF,50V
C321		NDC21HG-301X	CAPACITOR 300pF,50V
C322		NCB21CK-474X	CAPACITOR 0.47μF,16V
L302		QQL231J-6R8Y	COIL 6.8μH
L303		QQL231J-270Y	COIL 27μH
OT1		PU60010	SPACER
CN301		QGG2509M1-05	HEADER PIN, (1-5)MAIN
CN302		QGG2509M1-06	HEADER PIN, (1-6)MAIN

SECAM BOARD ASSEMBLY <88>

PW1	LPA10069-01A	SECAM BOARD ASSY
IC301	LA7358	IC
Q301	2SB1218A/QR/-X	TRANSISTOR
	or 2PA1576/R/-X	TRANSISTOR
	or 2SA1576A/QR/-X	TRANSISTOR
Q302	UN511E	TRANSISTOR
	or RN2309	TRANSISTOR
	or DTA144WU	TRANSISTOR
R301	NRSA02J-273X	MG RESISTOR 27kΩ,1/10W
R302	NRSA02J-124X	MG RESISTOR 120kΩ,1/10W
R303	NRSA02J-273X	MG RESISTOR 27kΩ,1/10W
R304	NRSA02J-682X	MG RESISTOR 6.8kΩ,1/10W
R305	NRSA02J-473X	MG RESISTOR 47kΩ,1/10W
R306	NRSA02J-273X	MG RESISTOR 27kΩ,1/10W
R307	NRSA02J-222X	MG RESISTOR 2.2kΩ,1/10W
R308	NRSA02J-222X	MG RESISTOR 2.2kΩ,1/10W
R309	NRSA02J-0R0X	MG RESISTOR 0Ω,1/10W
R310	NRSA02J-223X	MG RESISTOR 22kΩ,1/10W
R311	NRSA02J-332X	MG RESISTOR 3.3kΩ,1/10W
R312	NRSA02J-272X	MG RESISTOR 2.7kΩ,1/10W
R313	NRSA02J-223X	MG RESISTOR 22kΩ,1/10W
R314	NRVA02D-243X	CMF RESISTOR 24kΩ,1/10W